



Parts List and Sewing Equipment

零件样本和缝纫附件

251-140042

DÜRKOPP ADLER

Manufacturer:	Dürkopp Adler Manufacturing (Shanghai) Co., Ltd. 1201 Luoshan Road, Pudong New Area, Shanghai 200135, China
Contact:	Dürkopp Adler AG, PO Box 17 03 51, D-33703 Bielefeld, Potsdamerstr. 190, D-33719 Bielefeld, Phone +49 (0) 521 9 25 00, Fax +49 (0) 521 9 25 24 35, www.duerkopp-adler.com
制造商:	杜克普爱华工业制造(上海)有限公司 中国上海浦东新区罗山路1201号 邮政编码: 2000135
联系单位:	<i>Dürkopp Adler AG, PO Box 17 03 51, D-33703 Bielefeld, Potsdamerstr. 190, D-33719 Bielefeld, Phone +49 (0) 521 9 25 00, Fax +49 (0) 521 9 25 24 35, www.duerkopp-adler.com</i>

Edition: 06/2008	Revision index 00.0	Printed in China 中国印制	Part.-No.: 0791 251802
----------------------------	-------------------------------	-----------------------	----------------------------------

251-140042

Contents	Page / 页	目录
Arm bed components	1	机壳部件
Main shaft & thead take-up components	3	上轴、挑线部件
Needle bar & thread tension components	5	针杆、夹线部件
Presser components	7	压料部件
Hook driving shaft components	9	勾线部件
Feed mechanism components	11	送料部件
Feed regulating components	13	送料调节部件
Thread trimmer components	15	剪线分部件
Wiper components	17	拨线分部件
Lubrication components	19	润滑部件
Oil reservoir & kneelifter components	21	油盘、膝抬压脚部件
Machine head accessories	23	机头附件
Motor control components	25	电机控制部件
Model 251-140040A (For light weight materials)	27	251-140040A型(薄料用)
Model 251-140040H (For heavy weight materials)	29	251-140040H型(厚料用)
Presser foot lifter asm.	31	抬压脚部件
Numerical index of parts	33	索引

All rights reserved.

Property of Dürkopp Adler and copyrighted. Reproduction or publication of the content in any manner, even in extracts, without prior written permission of Dürkopp Adler, is prohibited.

Dürkopp Adler reserves the right to amend at any time the technical specifications.

版权所有，不许翻印

版权和产权归杜克普爱华有限公司所有。未经杜克普爱华有限公司书面许可，

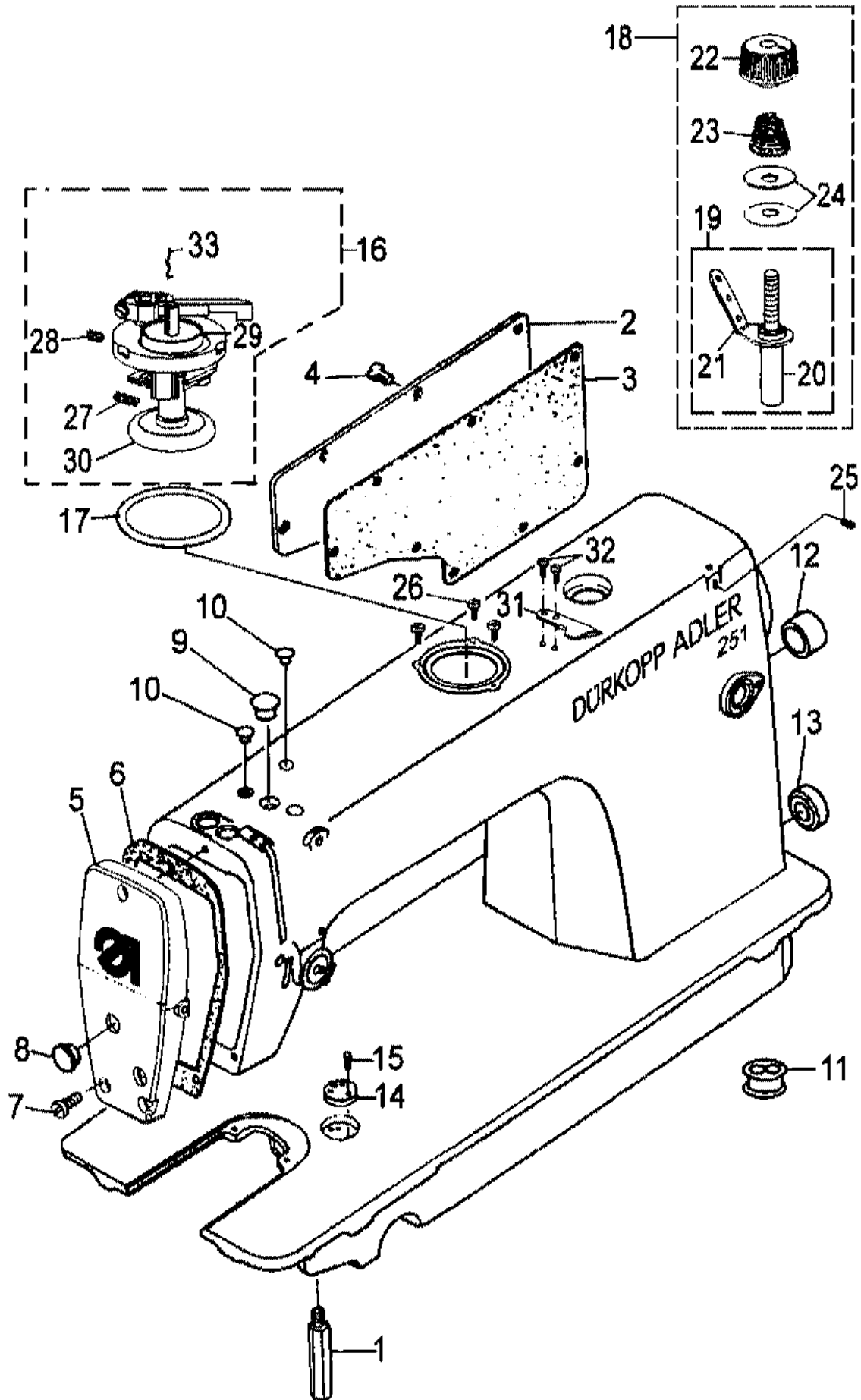
禁止以任何方式翻印或复印本内容，包括摘要。

杜克普爱华有限公司保留任何时候对技术规范进行更改的权利

Copyright © Dürkopp Adler - 2008

1. Arm bed components

1.机壳部件



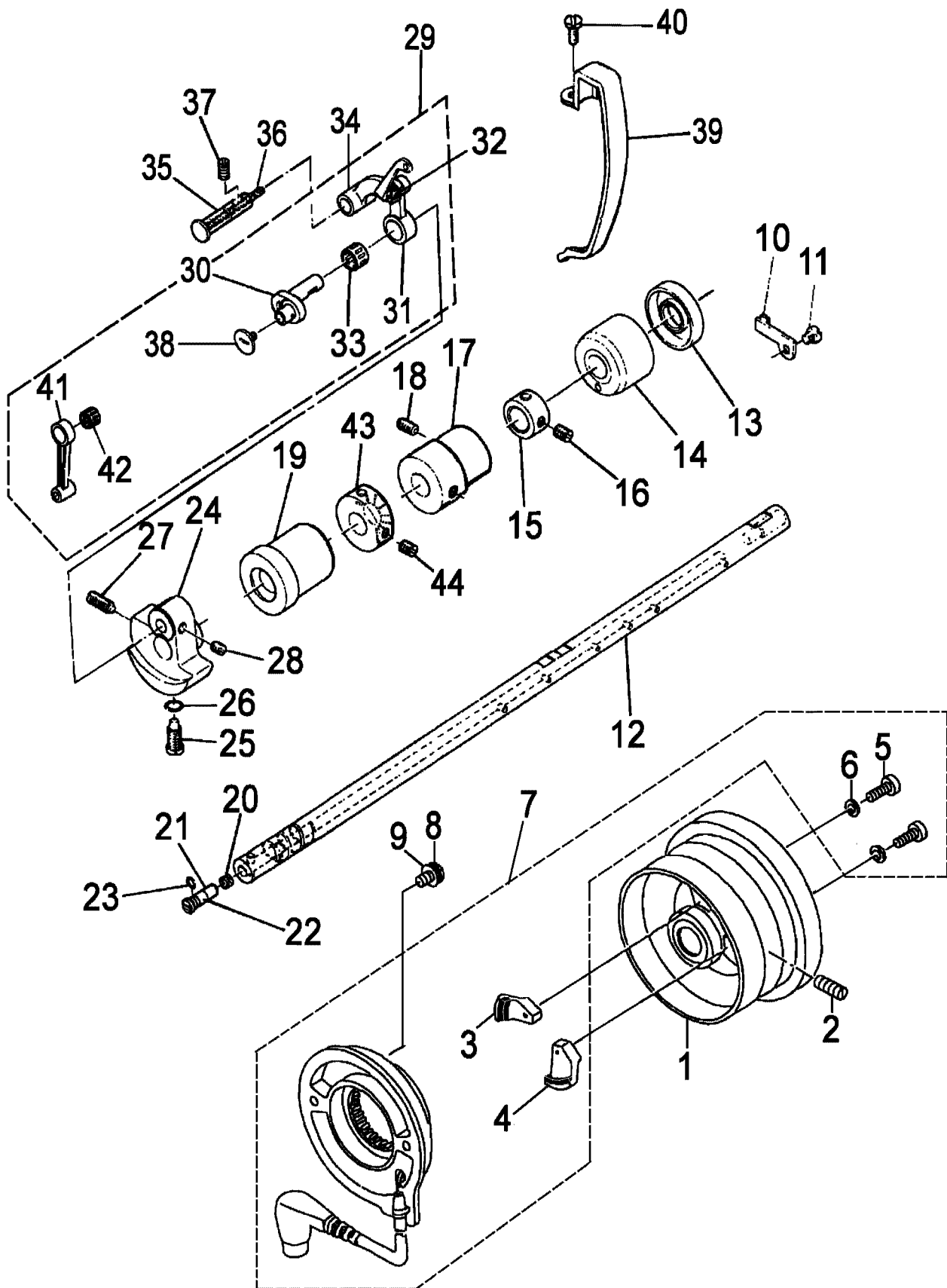
1.Arm bed components

1.机壳部件

序号	件号	Description	名称	Qty
1	0251 GS0548	Bed screw stud	底座支柱	4
2	0251 GK239	Side plate	后窗板	1
3	0251 GR3340	Gasket	后窗板垫	1
4	0251 GS053	Screw 3/16-28 L=9	后窗板螺钉3/16-28 L=9	8
5	0251 GR6245	Face plate	面板	1
6	0251 GR6162	Gasket	面板垫	1
7	0251 GS5198	Screw 3/16-28 L=12	面板螺钉3/16-28 L=12	3
8	0251 GR6163	Rubber plug	面板调节螺孔塞	2
9	0251 GR6164	Rubber plug	针杆曲柄螺孔塞	1
10	0251 GR6165	Rubber plug	挑线连杆销螺孔塞	2
11	0251 GR2045	Rubber bushing	电线过线圈	1
12	0251 GR6166	Rubber plug	送料调节螺孔塞	1
13	0251 GR6167	Rubber plug	下轴盲孔塞	1
14	0251 GR5791	Scale base plate	标尺座	1
15	0251 GS5054	Scew 11/64-40 L=5	标尺座螺钉11/64-40 L=5	2
16	0251 GR6250V17	Bobbin winder asm.	绕线器（部件）	1
17	0251 GRD1172	Bobbin winder cushion washer	绕线器密封垫	1
18	0251 GR6204V5	Thread tension comp	绕线张力部件	1
19	0251 GR6205V2	Thread tension shaft comp	绕线张力轴部件	1
20	0251 GZ1152	Thread tension shaft	绕线张力轴	1
21	0251 GR5013	Threading plate	绕线张力过线板	1
22	0251 GL1040	Nut	绕线张力旋钮螺母	1
23	0251 GW1107	Spring	绕线张力弹簧	1
24	0251 GR6284	Thread tension disk	绕线器张力夹线盘	2
25	0251 GS04	Screw 15/64-28 L=10.5	绕线张力器紧固螺钉15/64-28 L=10.5	1
26	0251 GS5187	Screw 11/64-40 L=6	绕线器安装螺钉 11/64-40 L=6	3
27	0251 GW1106	Spring	绕线轴座弹簧	1
28	0251 GW1104	Spring	动作板复位弹簧	1
29	0251 GR6257	Bobbin Support	梭心座	1
30	0251 GR6261	O-ring	绕线轮橡胶圈	1
31	0251 GR6201	Thread trimmer	割线刀	1
32	0251 GS5188	Screw 9/64-40 L=4	割线刀螺钉 9/64-40 L=4	2
33	0251 GW1105	Spring	绕线轴弹簧	1

2.Main shaft & thread take-up components

2.上轴、挑线部件



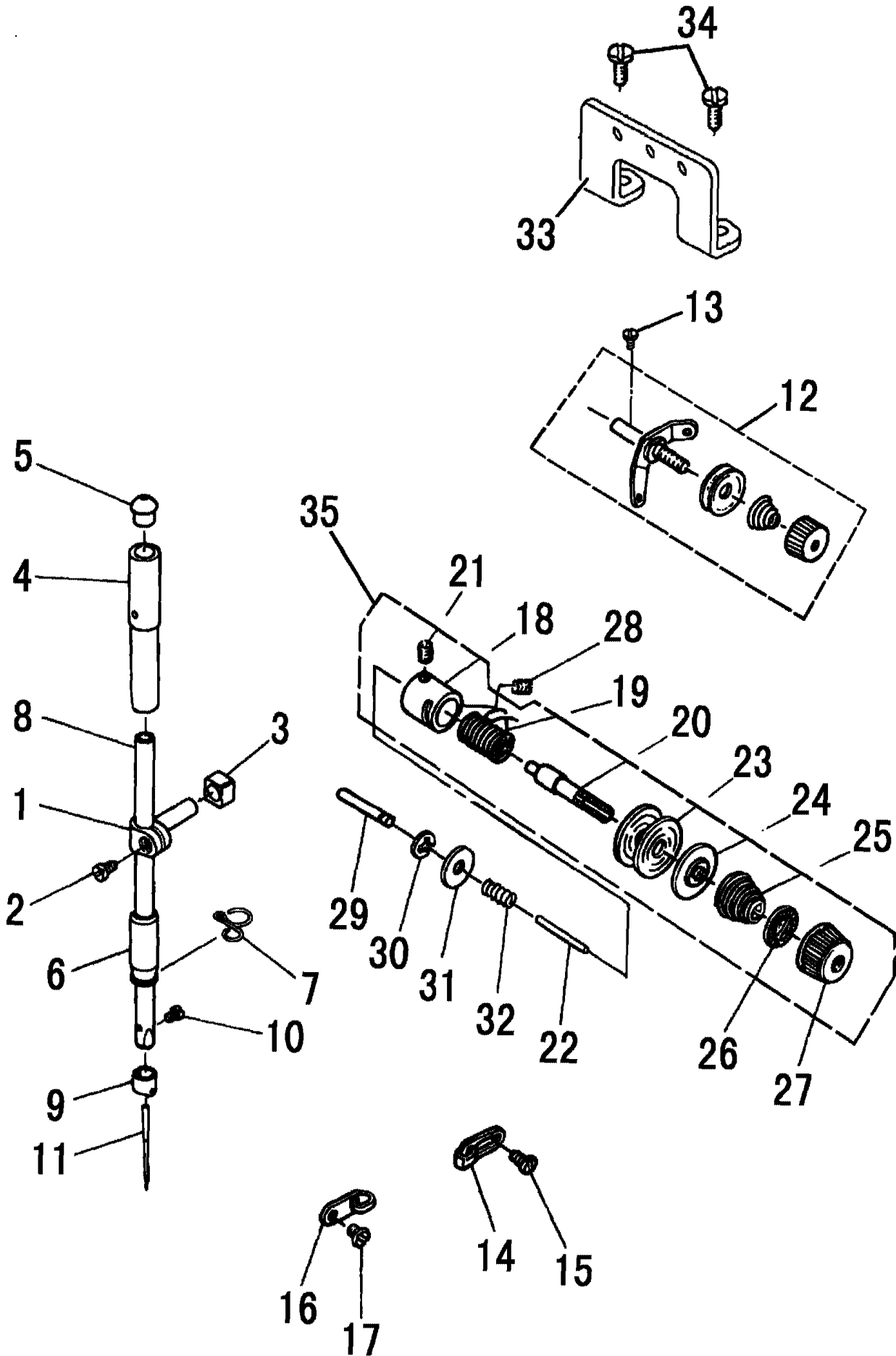
2.Main shaft & thread take-up components

2.上轴、挑线部件

序号	件号	Description	名称	Qty
1	0251 GP1030	Hand wheel	上轮	1
2	0251 GS03	Screw 15/64-28 L=15	上轮螺钉15/64-28 L=15	2
3	9800 12MPS02021	Magnet fitting base A asm.	磁钢组件A	1
4	9800 12MPS02022	Magnet fitting base B asm.	磁钢组件B	1
5	0251 GS0219	Screw 11/64-40 L=12	支承架螺钉 11/64-40 L=12	2
6	0251 GR2407	Washer	螺钉垫圈	2
7	9800 367102	Synchronizer 800-2H	上轴传感器部件	1
8	0251 GS0220	Screw	上轴传感器安装螺钉	2
9	0251 GR2409	Washer	安装螺钉 垫圈	2
10	0251 GR2410	Cable holder	电线安装导架	1
11	0251 GS0551	Screw 3/16-28 L=6	电线安装导架螺钉3/16-28 L=6	1
12	0251 GZ431	Main shaft	上轴	1
13	0251 GR6005	Oil seal	上轴油封	1
14	0251 GO1137	Main shaft bushing, rear	上轴后轴套	1
15	0251 GR1469	Thrust collar	上轴挡圈	1
16	0251 GS39	Screw 1/4-40 L=6	上轴挡圈螺钉1/4-40 L=6	2
17	0251 GO1138	Bushing, intermediats	上轴中轴套	1
18	0251 GS0549	Screw 15/64-28 L=9	上轴中轴套螺钉15/64-28 L=9	1
19	0251 GO1139	Main shaft bushing, front	上轴前轴套	1
20	0251 GR1470	Oil seal	曲柄油量限制毡	1
21	0251 GX334	Oil felt	曲柄油量调节销	1
22	0251 GO269	Rubber bushing	曲柄油量调节销套	1
23	0251 GR1471	O-ring	曲柄油量调节销O形圈	1
24	0251 GH1123	Counterweight	针杆曲柄	1
25	0251 GS06	Screw 9/32-28 L=16	针杆曲柄定位螺钉 9/32-28 L=16	1
26	0251 GR1472	O-ring	定位螺钉O形圈	1
27	0251 GS0550	Screw 9/32-28 L=16	针杆曲柄紧固螺钉9/32-28 L=16	1
28	0251 GS39	Screw 1/4-40 L=6	挑线曲柄定位螺钉 1/4-40 L=6	2
29	0251 GH1131V8	Thread take-up asm.	挑线杆部件	1
30	0251 GH563	Needle bar crank asm.	挑线曲柄部件	1
31	0251 GH564V4	Thread take-up lever asm.	挑线杆分部件	1
32	0251 GR3349	Rubber bushing	挑线杆防油套	1
33	0251 GO270	Needle bearing	挑线杆滚针轴承	1
34	0251 GH566	Thread take-up crank	挑线连杆	1
35	0251 GX1129	Thread take-up crank shaft	挑线连杆销	1
36	0251 GR3350	Oil wick	挑线连杆销油线	1
37	0251 GS04	Screw 15/64 L=10.5	挑线连杆销螺钉15/64 L=10.5	1
38	0251 GS09	Screw (left twist) 9/64-40 L=4.8	挑线曲柄左旋螺钉9/64-40 L=4.8	1
39	0251 GK1050	Thread take-up lever cover	挑线杆护罩	1
40	0251 GS5186	Screw 3/16-28 L=6	挑线杆护罩螺钉3/16-28 L=6	1
41	0251 GH334	Needle bar crank rod	针杆连杆	1
42	0251 GO270	Needle bearing	针杆连杆滚针轴承	1
43	0251 GP1024	Bobbin winder driving wheel	绕线驱动轮	1
44	0251 GS0155	Screw 15/64-28 L=9	绕线驱动轮螺钉 15/64-28 L=9	2

3. Needle bar & thread tension components

3. 针杆、夹线部件



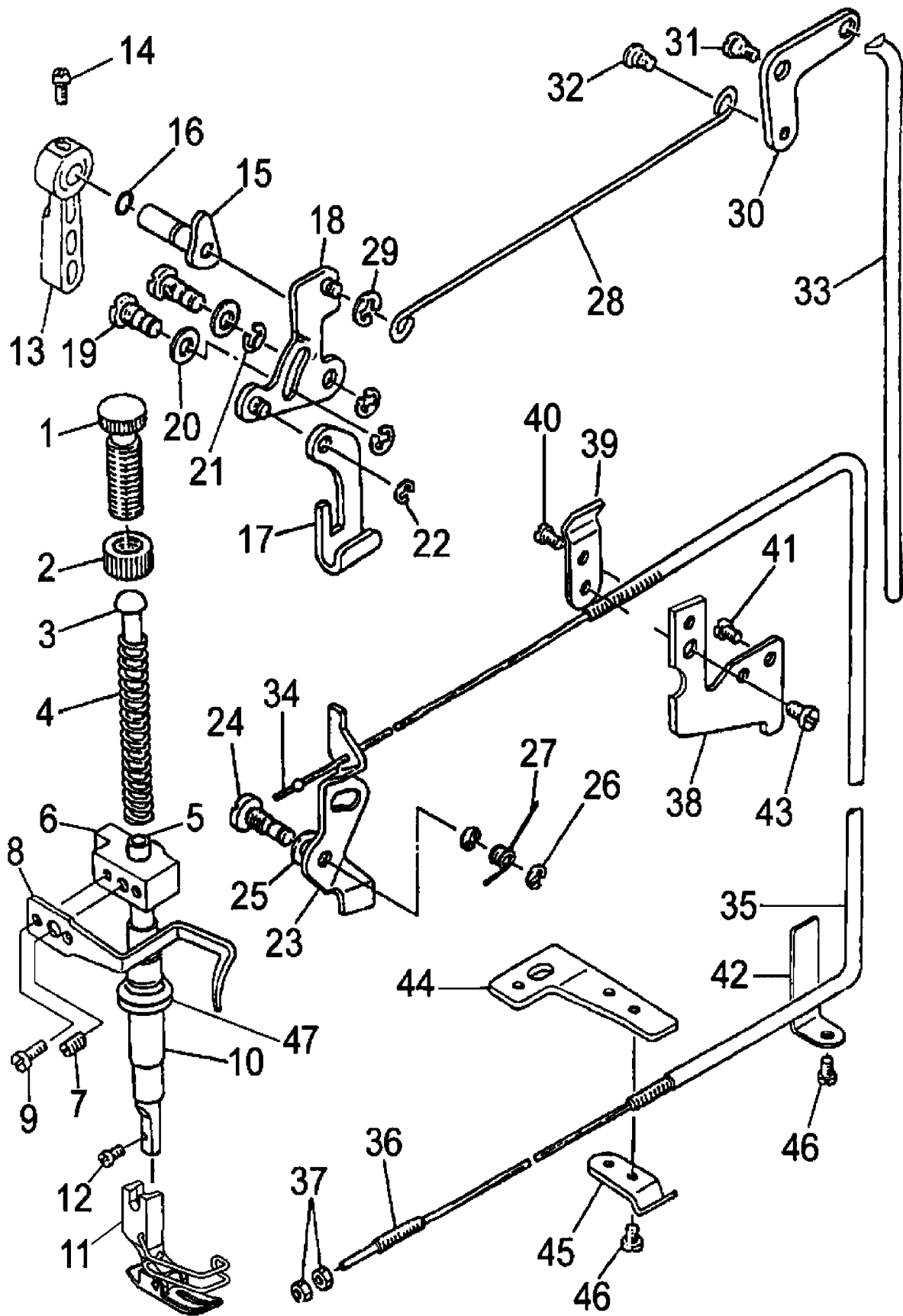
3. Needle bar & thread tension components

3. 针杆、夹线部件

序号	件号	Description	名称	Qty
1	0251 GR1478	Needle bar connection asm.	针杆连接柱	1
2	0251 GS042	Screw 9/64-40 L=7.5	针杆连接柱螺钉 9/64-40 L=7.5	1
3	0251 GU168	Slide block	针杆连接柱滑块	1
4	0251 GO1092	Needle bar bushing, upper	针杆上轴套	1
5	0251 GR6174	Cap	针杆上轴套孔塞	1
6	0251 GO1093	Needle bar bushing, lower	针杆下轴套	1
7	0251 GR3351	Needle bar thread guide	针杆下轴套线钩	1
8*	0251 GZ1150	Needle bar (DBX1)	针杆(DBX1)	1
8**	0251 GZ1174	Needle bar (134)	针杆(134)	1
9	0251 GR3352	Needle bar thread guide	针杆线钩	1
10	0251 GS071	Screw 1/8-44 L=4.5	支针螺钉 1/8-44 L=4.5	1
11*	0251 GV15	Needle (DBX1# 14)	机针 (DBX1# 14)	1
11**	9092 013400 090	Needle (134 Nm90)	机针(134 Nm90)	1
12	0251 GR6269V5	First thread tension asm.	上夹线器部件	1
13	0251 GS5186	Screw 3/16-28 L=6	上夹线器螺钉 3/16-28 L=6	1
14	0251 GR3354	Frame thread guide, right	右线钩	1
15	0251 GS0552	Screw 11/64-40 L=6	右线钩螺钉 11/64-40 L=6	1
16	0251 GR3355	Frame thread guide, left	左线钩	1
17	0251 GS0552	Screw 11/64-40 L=6	左线钩螺钉 11/64-40 L=6	1
18	0251 GR1635	Tension post socket	挑线簧调节座	1
19	0251 GW1109	Take-up spring	挑线簧	1
20	0251 GS015	Screw	夹线螺钉	1
21	0251 GS016	Set screw 9/64-40 L=5.5	夹线螺钉紧固螺钉 9/64-40 L=5.5	1
22	0251 GX567	Thread release pin	松线钉	1
23	0251 GR1488	Tension disc	夹线板	2
24	0251 GR1489	Tension disc holder	松线板	1
25	0251 GW1110	Tension spring	夹线簧	1
26	0251 GR1490	Tension disc stopper	夹线制动板	1
27	0251 GL1037	Tension nut	夹线螺母	1
28	0251 GS48	Screw 15/64-28 L=7	夹线器螺钉 15/64-28 L=7	1
29	0251 GX568	Tension release supporting pin	松线辅钉	1
30	0251 GR1717	Snap ring	松线辅钉挡圈	1
31	0251 GR3357	Washer plate	松线辅钉垫片	1
32	0251 GW432	Tension release supporting spring	松线辅钉弹簧	1
33	0251 GR6179	Thread guide	导线板	1
34	0251 GS5186	Screw 3/16-28 L=6	导线板螺钉 3/16-28 L=6	2
35	0251 GR6298V10	Thread tension asm.	夹线器部件	1

* FOR ASIA 销往亚洲

** FOR EUROPE 销往欧洲



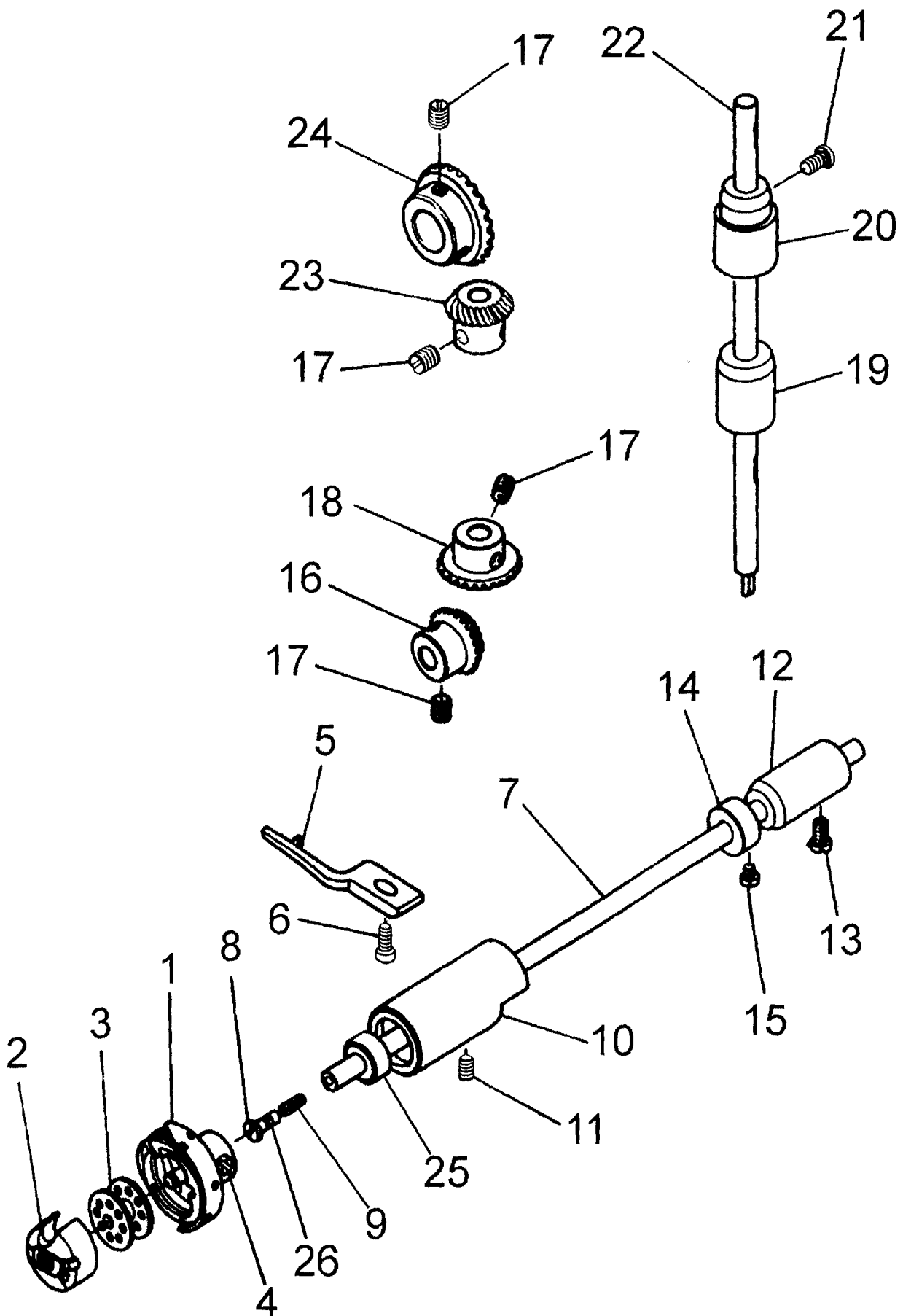
4.Presser bar components

4.压料部件

序号	件号	Description	名称	Qty
1	0251 GS0553	Presser spring regulator	调压螺钉	1
2	0251 GL0114	Nut 1/2-28	调压螺母 1/2-28	1
3	0251 GR1494	Presser guide bar	调压导杆	1
4	0251 GW253	Presser spring	调压簧	1
5	0251 GZ275	Presser bar	压杆	1
6	0251 GR3358	Needle bar guide bracket	压杆导架	1
7	0251 GS033	Screw 1/4-40 L=8	压杆导架螺钉 1/4-40 L=8	1
8	0251 GR3359	Presser bar thread guide	缓线调节勾	1
9	0251 GS0100	Screw 9/64-40 L=8.5	缓线调节勾螺钉 9/64-40 L=8.5	2
10	0251 GO1135	Presser bar bushing, lower	压杆衬套	1
11	0251 GM1080V5	Presser foot asm.	活压脚部件	1
12	0251 GS020	Screw 9/64-40 L=10.5	活压脚螺钉 9/64-40 L=10.5	1
13	0251 GR3360	Hand lifter	压脚扳手	1
14	0251 GS0554	Screw 9/64-40 L=9.5	压脚扳手螺钉 9/64-40 L=9.5	1
15	0251 GR3361V2	Hand lifter cam asm.	压脚扳手凸轮部件	1
16	0251 GR1503	O-ring	压脚扳手轴O形圈	1
17	0251 GR3363	Lifting lever	压脚升降板	1
18	0251 GR3364V3	Hand lifter link asm.	抬压脚前杠杆部件	1
19	0251 GS0161	Link shaft	前杠杆螺纹销	2
20	0251 GR2035	Gasket	螺纹销垫圈	2
21	0251 GR1510	Snap ring	螺纹销开口垫圈	3
22	0251 GR3366	Snap ring	升降板连接特制开口挡圈	1
23	0251 GR3367	Tension release plate	松线顶板	1
24	0251 GS0162	Tension release shaft	松线顶板螺纹销	1
25	0251 GR2035	Washer	螺纹销垫圈	1
26	0251 GR1510	Snap ring	螺纹销开口挡圈	2
27	0251 GW433	Tension release return spring	松线顶板复位簧	1
28	0251 GR3368	Lifting lever connecting rod	抬压脚拉杆	1
29	0251 GR1510	Snap ring	拉杆开口挡圈	1
30	0251 GR3369	Lifting lever link	抬压脚后杠杆	1
31	0251 GS0557	Hinge screw	后杠杆轴位螺钉	1
32	0251 GS0558	Hinge screw	抬压脚拉杆螺钉	1
33	0251 GR3370	Connecting rod vertical	抬压脚顶杆	1
34	0251 GR2416	Wire cable	松线拉丝	1
35	0251 GR2418	Wire tube	松线拉丝软管	1
36	0251 GS078	Set screw	松线拉丝调节螺钉	1
37	0251 GL19	Nut	松线拉丝调节螺母	2
38	0251 GR6246	Wire holder bracket (upper)	软管支承板	1
39	0251 GR2420	Wire holder	支承外压板	1
40	0251 GS080	Screw 11/64-40 L=7	支承外压板螺钉 11/64-40 L=7	1
41	0251 GS0551	Screw 3/16-28 L=6	软管支承板螺钉 3/16-28 L=6	1
42	0251 GR2421	Wire cable holder	软管侧面定位板	1
43	0251 GS0551	Screw 3/16-28 L=6	定位板螺钉 3/16-28 L=6	1
44	0251 GR2422	Wire holder bracket (lower)	软管下支承板	1
45	0251 GR2420	Wire holder	下支承外压板	1
46	0251 GS010	Screw 11/64-40 L=5	下支承外压板螺钉 11/64-40 L=5	2
47	0251 GK1051	Oil protecting bushing	压杆防油套	1

5.Hook driving shaft components

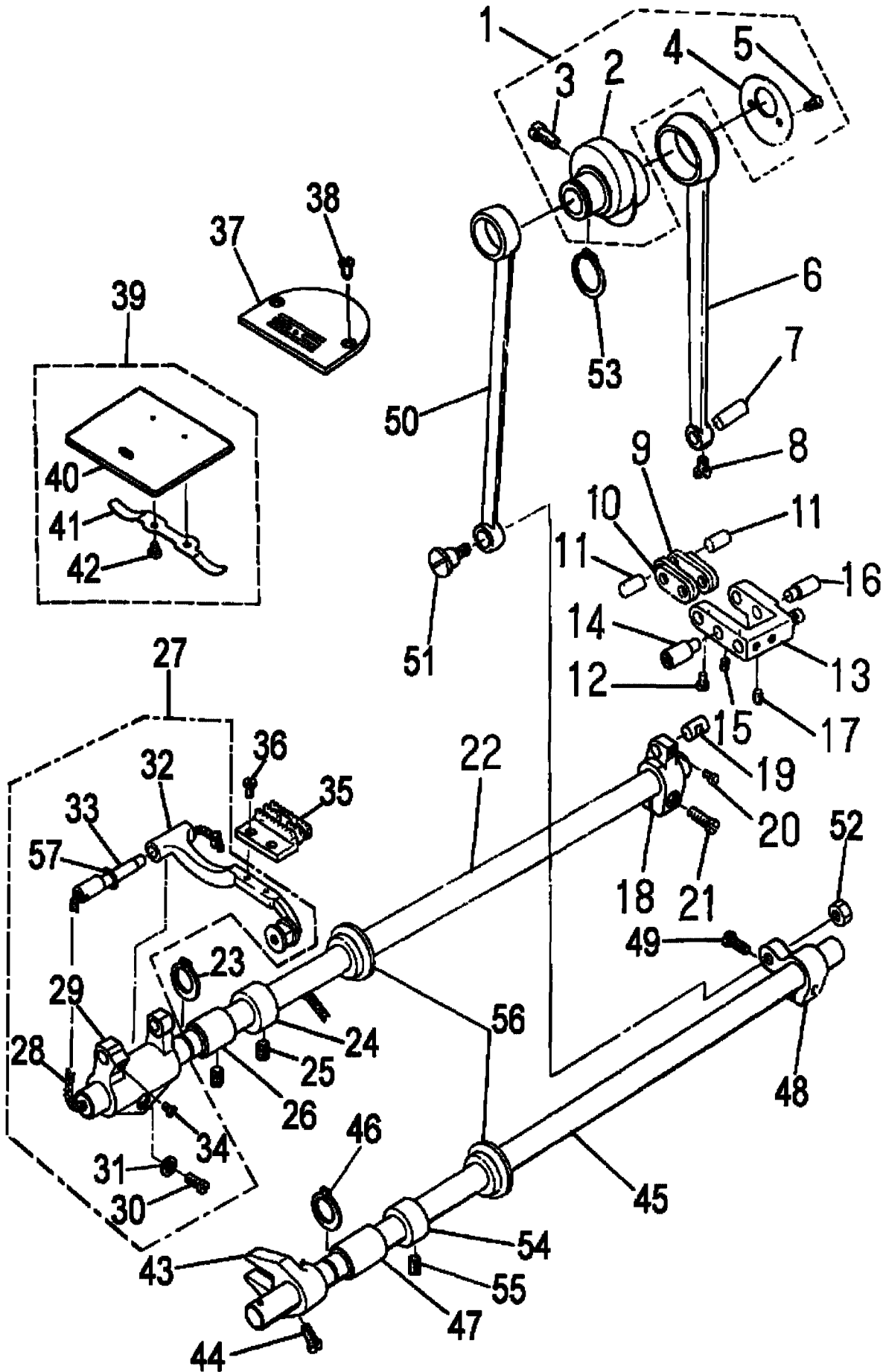
5.勾线部件



5.Hook driving shaft components

5.勾线部件

序号	件号	Description	名称	Qty
1	0251 GN177	Hook asm.	旋梭	1
2	0251 GN1036	Bobbin case asm.	梭子	1
3	0251 GN163	Bobbin	梭心	1
4	0251 GS029	Screw SM4.46×40 L=4.7	旋梭紧固螺钉SM4.46×40 L=4.7	2
5	0251 GR1685	Positioning finger	旋梭定位钩	1
6	0251 GS030	Screw 11/64-40 L=9.5	旋梭定位钩螺钉11/64-40 L=9.5	1
7	0251 GZ434	Hook driving shaft	下轴	1
8	0251 GS031	Oil seal screw	下轴限油螺钉	1
9	0251 GR1515	Oil wick	下轴限油芯	1
10	0251 GO1148	Lower shaft bushing asm. front	下轴前轴套部件	1
11	0251 GS0559	Screw 15/64-28 L=4	下轴前轴套螺钉 15/64-28 L=4.	1
12	0251 GO470	Bushing, rear	下轴后轴套	1
13	0251 GS053	Screw 3/16-28 L=9	下轴后轴套螺钉3/16-28 L=9	1
14	0251 GR1519	Thrust collar	下轴挡圈	1
15	0251 GS082	Screw 11/64-40 L=4.8	下轴挡圈螺钉11/64-40 L=4.8	2
16	0251 GC165	Lower shaft gear, small	下轴伞齿轮 (小)	1
17	0251 GS033	Screw 1/4-40 L=8	伞齿轮螺钉 1/4-40 L=8	8
18	0251 GC166	Upright shaft gear, large	竖轴下伞齿轮 (大)	1
19	0251 GO471	Upright shaft bushing, lower	竖轴下轴套	1
20	0251 GO472	Upright shaft bushing, upper	竖轴上轴套	1
21	0251 GS053	Screw 3/16-28 L=9	竖轴上轴套螺钉 3/16-28 L=9	1
22	0251 GZ435	Upright shaft	竖轴	1
23	0251 GC167	Upright shaft gear, small	竖轴上伞齿轮 (小)	1
24	0251 GC168	Main shaft gear, large	上轴伞齿轮 (大)	1
25	0251 GR6238	Oil seal	下轴油封	1
26	0251 GR6181	O-ring	下轴限油螺钉O形圈	1



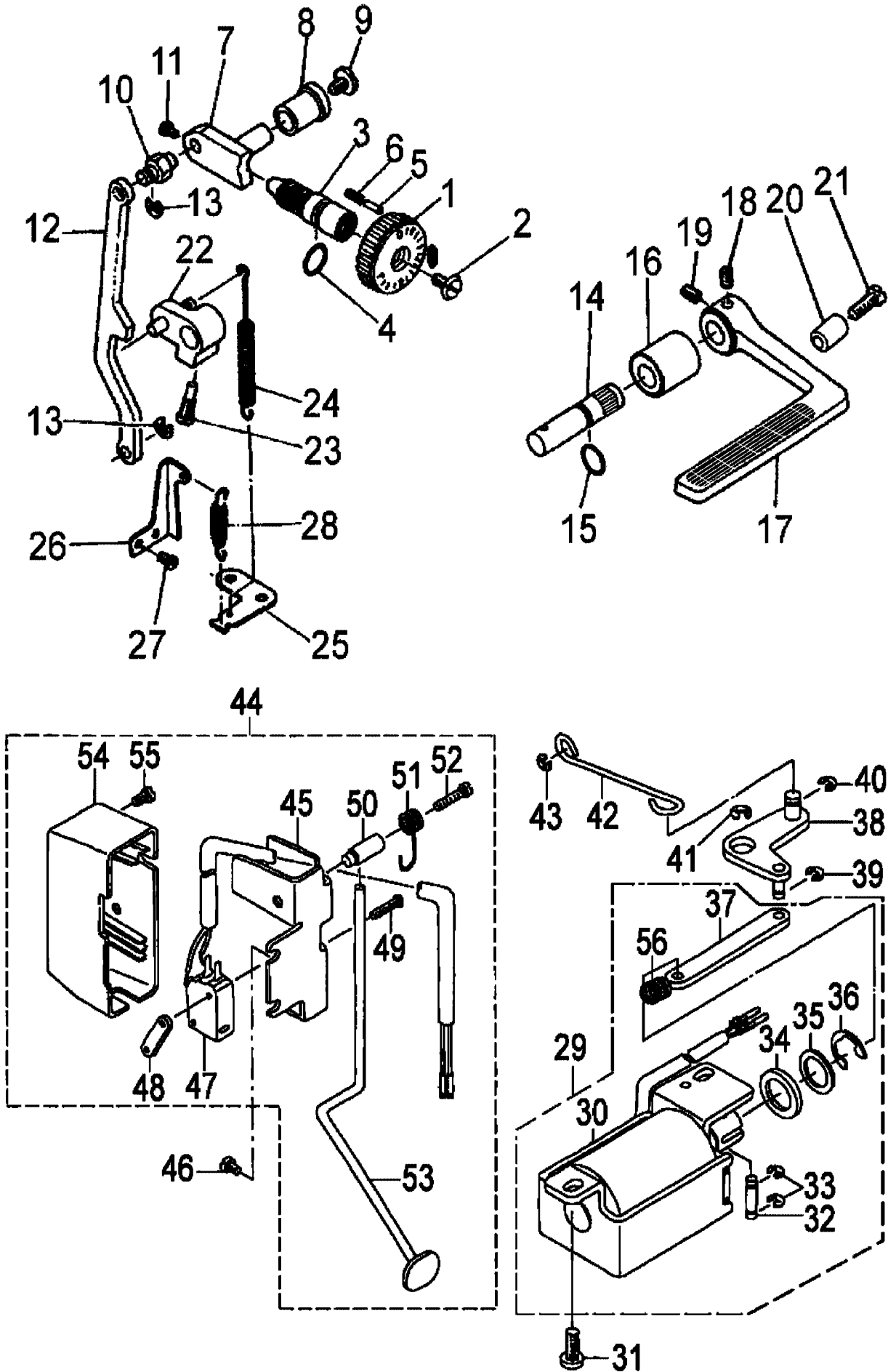
6.Feed machanism components

6.送料部件

序号	件号	Description	名称	Qty
1	0251 GR6247V6	Feed drive eccentric cam asm.	送料偏心轮部件	1
2	0251 GT198	Feed drive eccentric cam	送料偏心轮	1
3	0251 GS034	Screw 1/4-40 L=11	送料偏心轮螺钉 1/4-40 L=11	2
4	0251 GR3373	Thrust collar	送料偏心轮盖板	1
5	0251 GS011	Screw 9/64-40 L=6	偏心轮盖板螺钉 9/64-40 L=6	2
6	0251 GH568	Rocker shaft connecting rod	送料连杆	1
7	0251 GX1029	Walking foot pin	送料连杆销	1
8	0251 GS0560	Screw 9/64-40 L=6	送料连杆销螺钉 9/64-40 L=6	1
9	0251 GR5254	Walking foot link	送料长摆动板	2
10	0251 GR5255	Connecting link	送料短摆动板	2
11	0251 GX1030	Walking foot pin	短摆动板连接销	2
12	0251 GS0560	Screw 9/64-40 L=6	连接销螺钉 9/64-40 L=6	2
13	0251 GR6288V3	Walking foot adjusting link	送料摆动板座部件	1
14	0251 GX573	Adjusting link fulcrum shaft	送料摆动板座右销	1
15	0251 GS48	Screw 15/64-28 L=7	左销螺钉 15/64-28 L=7	1
16	0251 GX573	Adjusting link fulcrum shaft	送料摆动板座右销	1
17	0251 GS48	Screw 15/64-28 L=7	右销螺钉 15/64-28 L=7	1
18	0251 GH569	Feed rocker shaft crank asm.	送料曲柄	1
19	0251 GX1031	Walking foot pin	送料曲柄销	1
20	0251 GS0560	Screw 9/64-40 L=6	曲柄销螺钉 9/64-40 L=6	1
21	0251 GS0561	Screw 3/16-28 L=14	送料曲柄螺钉 3/16-28 L=14	1
22	0251 GZ436	Feed rocker shaft	送料轴	1
23	0251 GR1524	Retaining ring	送料轴用挡圈	1
24	0251 GR1469	Thrust collar	送料轴挡圈	1
25	0251 GS39	Screw rocker shaft bushing 1/4-40 L=6	送料轴挡圈螺钉 1/4-40 L=6	2
26	0251 GO473	Feed rocker shaft boshing asm.	送料轴用轴套	1
27	0251 GR6322V8	Feed dog asm.	送料牙小组件	1
28	0251 GR3378	Oil wick	送料轴油线	1
29	0251 GR6317	Feed rocker asm.	牙架座	1
30	0251 GS69	Screw 3/16-28 L=14	牙架座螺钉 3/16-28 L=14	1
31	0251 GR1528	Washer	牙架座螺钉垫圈	1
32	0251 GR6241V4	Feed bar asm.	牙架部件	1
33	0251 GX418	Feed bar shaft	牙架销	1
34	0251 GS092	Screw 11/64-40 L=7	牙架销螺钉 11/64-40 L=7	1
35	0251 GM1086	Feed dog	送料牙	1
36	0251 GS072	Screw 1/8-44 L=6	送料牙螺钉 1/8-44 L=6	2
37	0251 GM1068	Throat plate	针板	1
38	0251 GS044	Screw 11/64-40 L=8.5	针板螺钉 11/64-40 L=8.5	2
39	0251 GM1073V3	Bed slide asm.	推板部件	1
40	0251 GM204	Slide plate	推板	1
41	0251 GW1096	Bed slide spring	推板簧	1
42	0251 GS045	Screw 3/32-56 L=1.9	推板簧螺钉 3/32-56 L=1.9	2
43	0251 GH570	Driving shaft crank asm. front	拾牙叉形曲柄	1
44	0251 GS037	Screw 11/64-40 L=10.5	拾牙叉形柄螺钉 11/64-40 L=10.5	1
45	0251 GZ437	Lifting shaft	拾牙轴	1
46	0251 GR1524	Retaining ring	拾牙轴轴用挡圈	1
47	0251 GO473	Feed rocker shaft bushing	拾牙轴前轴套	1
48	0251 GH571	Rear crank asm.	拾牙后曲柄	1
49	0251 GS049	Screw 3/16-28 L=12	拾牙后曲柄螺钉 3/16-28 L=12	1
50	0251 GH572	Connecting rod	拾牙连杆	1
51	0251 GS0562	Hinge screw	拾牙连杆轴位螺钉	1
52	0251 GL7	Nut 9/32-28	拾牙连杆轴位螺母 9/32-28	1
53	0251 GR1535	Snap ring	拾牙连杆轴用挡圈	1
54	0251 GR1469	Thrust collar	拾牙轴挡圈	1
55	0251 GS39	Screw 1/4-40 L=6	拾牙轴挡圈螺钉 1/4-40 L=6	2
56	0251 GR6182	Oil protecting rubber ring	送料轴防油套	2
57	0251 GRD1087	Washer	牙架座垫圈	1

7.Feed regulating components

7.送料调节部件



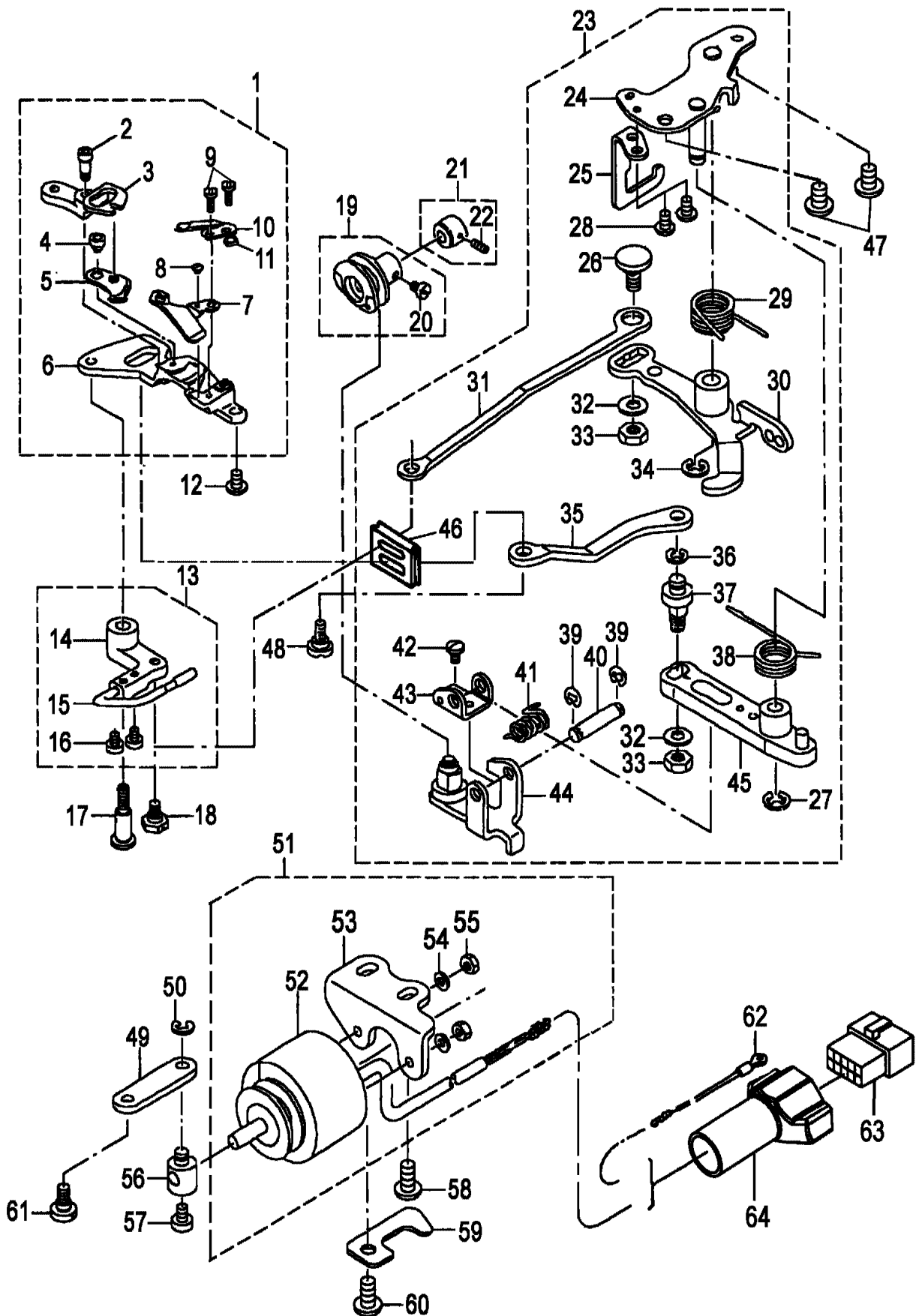
7.Feed regulating components

7.送料调节部件

序号	件号	Description	名称	Qty
1	0251 GR6265	Feed dial	送料距旋钮	1
2	0251 GS0563	Screw 3/16-28 L=18	送料距旋钮螺钉 3/16-28 L=18	1
3	0251 GS0564	Feed regulator screw	送料调节螺柱	1
4	0251 GR3383	O-ring	送料调节螺柱O形圈	1
5	0251 GX576	Pin	送料距锁合销	1
6	0251 GW257	Spring	送料距锁合簧	1
7	0251 GR3384	Feed regulator	送料调节器	1
8	0251 GO474	Feed regulator bushing	送料调节器轴套	1
9	0251 GS0565	Screw 3/16-28 L=7	送料调节器轴端螺钉 3/16-28 L=7	1
10	0251 GX577	Feed regulator pin	倒送料连杆销	1
11	0251 GS011	Screw 9/64-40 L=6	连杆销螺钉 9/64-40 L=6	2
12	0251 GH1126	Feed regulator rod	倒送料连杆	1
13	0251 GR1510	Snap ring	倒送料连杆销挡圈	2
14	0251 GZ1027	Feed reverse shaft	倒送料轴	1
15	0251 GR3385	O-ring	倒送料轴O形圈	1
16	0251 GO1094	Feed reverse shaft bushing	倒送料轴轴套	1
17	0251 GR6184V2	Feed reverse control lever asm.	倒送料扳手部件	1
18	0251 GS050	Screw 1/4-40 L=10	倒送料扳手定位螺钉 1/4-40 L=10	1
19	0251 GS033	Screw 1/4-40 L=8	倒送料扳手螺钉 1/4-40 L=8	1
20	0251 GR2428	Reverse feed lever stopper	倒送料扳手挡圈	1
21	0251 GS0222	Screw 3/16-28 L=18	挡圈螺钉 3/16-28 L=18	1
22	0251 GH574V2	Feed reverse arm asm.	倒送料曲柄部件	1
23	0251 GS0566	Feed reverse arm screw	倒送料曲柄螺钉	1
24	0251 GW1103	Feed reverse spring	倒送料拉簧	1
25	0251 GR3387	Feed spring hook	拉簧固定板	1
26	0251 GR3388	Adjusting link spring guide	摆动板座复位板	1
27	0251 GS0567	Screw 11/64-40 L=5	复位板螺钉 11/64-40 L=5	2
28	0251 GW436	Adjusting link spring	摆动板座复位簧	1
29	0251 GR6273V9	Reverse feed magnet asm.	倒送料电磁铁部件	1
30	0251 GD305	Reverse feed magnet	倒送料电磁铁	1
31	0251 GS0223	Screw 15/64-28 L=12	安装螺钉 15/64-28 L=12	2
32	0251 GX419	Plunger arm pin	铁芯连接销	1
33	0251 GR1717	Snap ring	连接销挡圈	2
34	0251 GR1695	Rubber plunger	铁芯橡皮垫	1
35	0251 GR2429	Washer	铁芯垫	1
36	0251 GR1697	Snap ring	铁芯止动挡圈	1
37	0251 GH454	Reverse feed connecting link	铁芯连杆	1
38	0251 GR6263V3	Connecting arm asm.	自动倒送料曲柄部件	1
39	0251 GR1717	Snap ring	曲柄短销挡圈	1
40	0251 GR1510	Snap ring	曲柄长销挡圈	1
41	0251 GR2402	Snap ring	曲柄挡圈	1
42	0251 GR6158	Reverse feed connecting shaft	自动倒送料拉杆	1
43	0251 GR1510	Snap ring	拉杆挡圈	1
44	0251 GR2431V1	Reverse feed switch asm.	手触倒送料开关部件	1
45	0251 GR2432	Reverse feed switch base	开关支承架	1
46	0251 GS053	Screw 3/16-28 L=9	支承架安装螺钉 3/16-28 L=9	2
47	0251 GD306	Reverse feed switch	微动开关	1
48	0251 GR2433	Reverse feed switch plate	微动开关安装板	1
49	0251 GS571	Screw M3×16	安装板螺钉 M3×16	2
50	0251 GX422	Reverse feed switch shaft	开关安装销	1
51	0251 GW333	Reverse feed switch spring	安装销复位簧	1
52	0251 GS0224	Screw	开关杆定位螺钉	1
53	0251 GR2434V2	Reverse feed switch lever	开关杆部件	1
54	0251 GR2436	Cover	手触倒送料开关罩	1
55	0251 GS81	Screw 11/64-40 L=6	开关罩安装螺钉 11/64-40 L=6	1
56	0251 GW1108	Spring	止推弹簧	1

8.Thread trimmer components

8.剪线部件



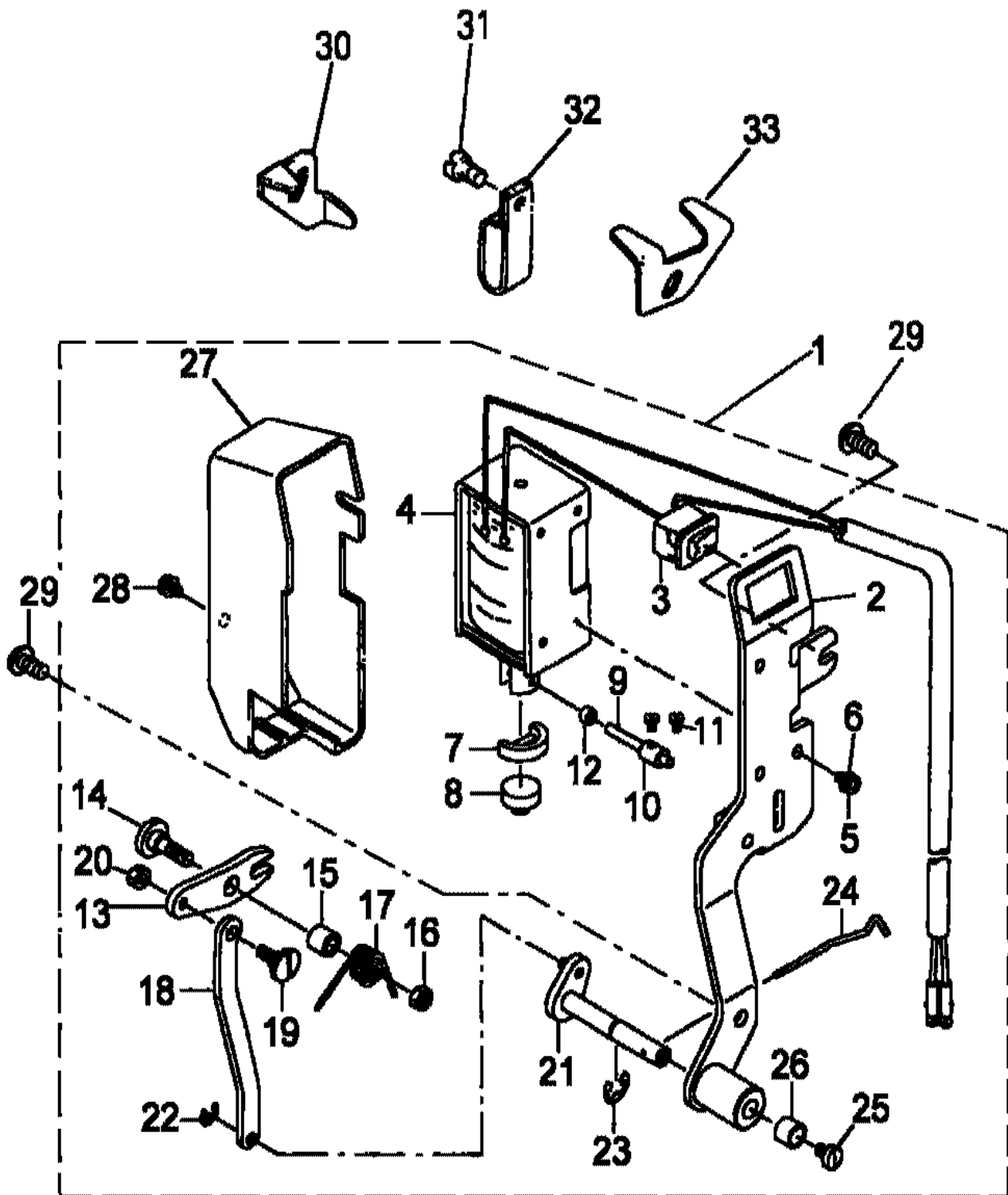
8.Thread trimmer components

8.剪线部件

序号	件号	Description	名称	Qty
1	0251 GR2437V11	Knife unit	剪线刀部件	1
2	0251 GS093	Hinge screw	摆动叉轴位螺钉	1
3	0251 GH457	Forked base for knife	动刀摆动叉	1
4	0251 GS0225	Moving knife hinge screw	动刀轴位螺钉	1
5	0251 GR2438V2	Moving knife asm.	动刀部件	1
6	0251 GR2440	Knife mounting	剪线刀座	1
7	0251 GR1706	Thread guide for knife	剪线导线钩	1
8	0251 GS095	Screw 3/32-56 L=2.3	剪线导线钩螺钉3/32-56 L=2.3	1
9	0251 GS072	Screw 1/8-44 L=6	定刀螺钉1/8-44 L=6	2
10	0251 GR1705	Counter knife	定刀	1
11	0251 GR1708	Counter knife spacer	定刀安装板	1
12	0251 GS81	Screw 11/64-40 L=7	剪线刀座螺钉11/64-40 L=7	1
13	0251 GR2441V4	Picker arm asm.	挡线器安装座部件	1
14	0251 GH458	Picker arm	挡线器座	1
15	0251 GR2442V4	Thread take-up picker asm.	挡线器部件	1
16	0251 GS096	Screw 9/64-40 L=5	挡线器杆螺钉9/64-40 L=5	2
17	0251 GS097	Hinge screw	挡线器座轴位螺钉	1
18	0251 GS022	Hinge screw	拉杆轴位螺钉	1
19	0251 GT172	Thread trimmer cam asm.	剪线凸轮	1
20	0251 GS0226	Screw 1/4-40 L=6	剪线凸轮螺钉1/4-40 L=6	2
21	0251 GR2444	Cam collar asm.	剪线凸轮挡圈	1
22	0251 GS032	Screw 11/64-40 L=4.5	挡圈螺钉11/64-40 L=4.5	1
23	0251 GR6274V27	Thread trimmer transmitting asm.	剪线传动部件	1
24	0251 GR2445V3	Thread trimmer base plate asm.	剪线驱动座部件	1
25	0251 GR2450	Driving arm stopper asm.	剪线保护板	1
26	0251 GS5199	Hinge screw	挡线器拉杆轴位螺钉	1
27	0251 GR1507	Snap ring	驱动曲柄定位挡圈	1
28	0251 GS81	Screw 11/64-40 L=7	保护板螺钉11/64-40 L=7	2
29	0251 GW336	Clutch spring	离合架复位簧	1
30	0251 GR2457V2	Clutch plate asm.	剪线离合架部件	1
31	0251 GR2460	Clutch link	挡线器拉杆	1
32	0251 GR1599	Washer	连接销垫圈	2
33	0251 GL21	Nut	连接销螺母	2
34	0251 GR1507	Snap ring	离合架挡圈	1
35	0251 GR2456	Moving knife link	动刀驱动拉杆	1
36	0251 GR1510	Snap ring	连接销挡圈	1
37	0251 GX428	Moving knife link pin	拉杆连接销	1
38	0251 GW334	Clutch spring	剪线驱动曲柄复位簧	1
39	0251 GR1717	Snap ring	托板支承架销挡圈	2
40	0251 GX426	Rollar arm bracket	托板支承架销	1
41	0251 GW335	Rollar return spring	托板复位簧	1
42	0251 GS0560	Screw 9/64-40 L=6	托板支承架安装螺钉9/64-40 L=6	1
43	0251 GR2451	Rollar arm bracket	托板支承架	1
44	0251 GR2452V4	Rollar arm asm.	凸轮滚柱托板部件	1
45	0251 GH459V2	Clutch plate asm.	剪线驱动曲柄部件	1
46	0251 GR2462	Oil shield plate	挡油块	1
47	0251 GS062	Screw 15/64-28 L=9	驱动座安装螺钉15/64-28 L=9	2
48	0251 GS0227	Hinge screw	摆动叉驱动轴位螺钉	1
49	0251 GR6278	Clutch link	剪线电磁铁拉杆	1
50	0251 GR1510	Snap ring	节头挡圈	1
51	0251 GR6275V6	Thread trimmer solenoid asm.	剪线电磁铁部件	1
52	0251 GD307	Thread trimmer solenoid	剪线电磁铁	1
53	0251 GR2463	Solenoid base	支架	1
54	0251 GR1672	Washer	支架连接垫圈	2
55	0251 GL110	Nut	支架连接螺母	2
56	0251 GR2464	Solenoid pin	剪线电磁铁节头	1
57	0251 GS81	Screw 11/64-40 L=7	节头螺钉11/64-40 L=7	1
58	0251 GS0223	Screw 15/64-28 L=12	支架安装螺钉 15/64-28 L=12	2
59	0251 GR3400	Tube holder	电磁铁电线压板	1
60	0251 GS0223	Screw 15/64-28 L=12	电线压板螺钉15/64-28 L=12	1
61	0251 GS0228	Hinge screw	拉杆轴位螺钉	1
62	0251 GD1015	Ground wire asm.	接地线组件	1
63	0251 GD1013	Housing	阴连接器	1
64	0251 GD1014	Housing protection	连接器护套	1

9.Wiper components

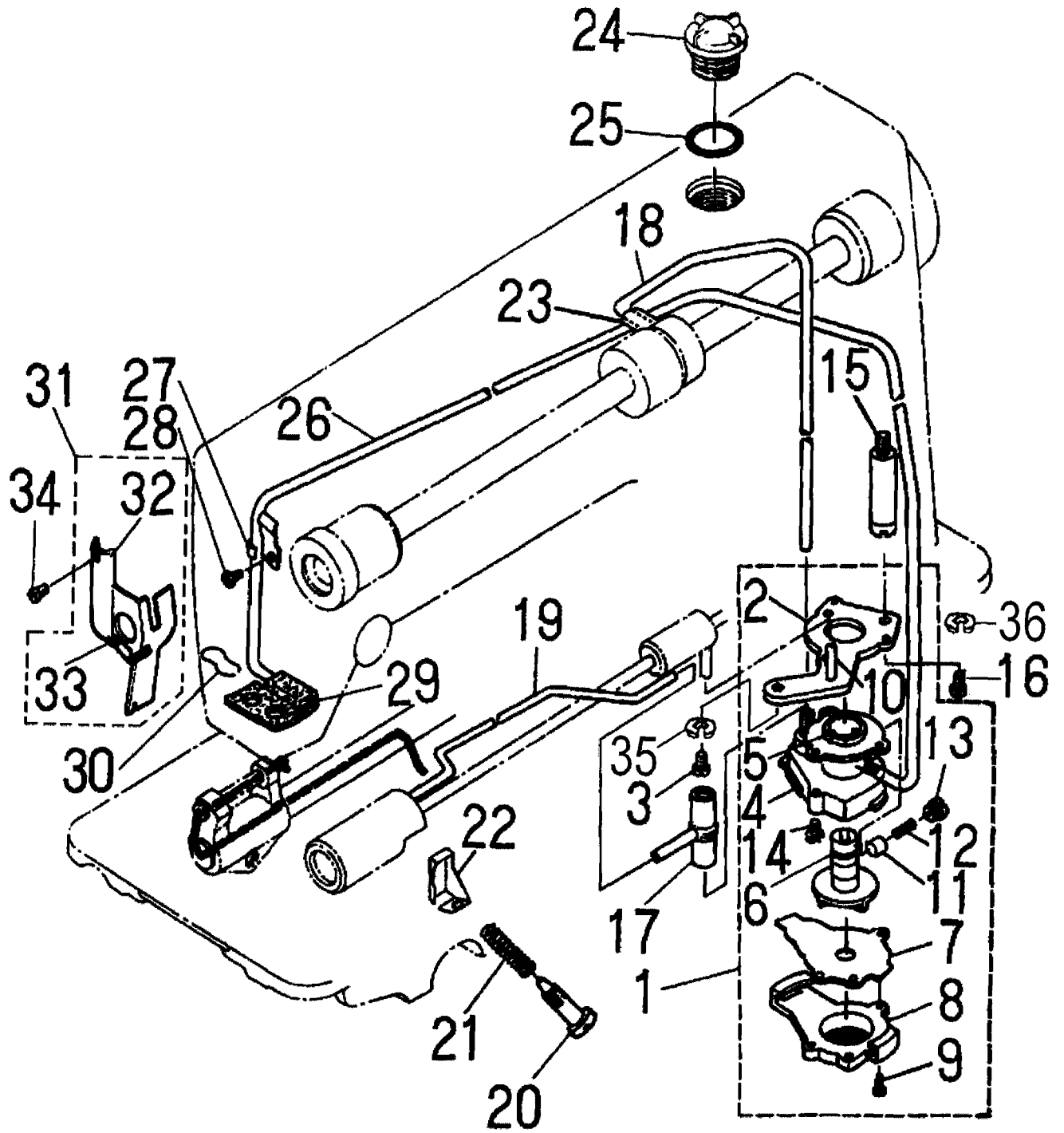
9.拨线部件



9.Wiper components

9.拨线部件

序号	件号	Description	名称	Qty
1	0251 GR6302V27	Wiper asm.	拨线电磁铁部件	1
2	0251 GR2466V2	Wiper base asm.	拨线电磁铁支架部件	1
3	0251 GD308	Power source switch asm.	拨线开关	1
4	0251 GD309	Wiper solenoid	拨线电磁铁	1
5	0251 GS304	Screw M3×0.5 L=6	拨线电磁铁安装螺钉M3×0.5 L=6	3
6	0251 GD254	Washer	安装螺钉垫圈	3
7	0251 GR2468	Wipper rubber	铁芯橡皮垫	1
8	0251 GR2469	Wipper rubber	铁芯复位垫	1
9	0251 GX430	Wipper solenoid pin	铁芯传动销	1
10	0251 GR2470	Thrust collar asm.	传动销定位圈	1
11	0251 GS0229	Screw 1/8-44 L=2.5	定位圈螺钉1/8-44 L=2.5	2
12	0251 GR2471	Wiper link collar	传动销滚柱	1
13	0251 GR2472	Wiper link	拨线传动板	1
14	0251 GS0230	Hinge screw	传动板轴位螺钉	1
15	0251 GR2473	Wiper hinge screw collar	轴位螺钉定位套	1
16	0251 GL31	Nut	轴位螺钉螺母	1
17	0251 GW337	Wiper spring	传动板复位簧	1
18	0251 GR2474	Connecting Link	拨线拉杆	1
19	0251 GS0231	Wiper link hinge screw	拉杆轴位螺钉	1
20	0251 GL48	Nut	拉杆轴位螺钉螺母	1
21	0251 GZ344V3	Wiper driving shaft asm.	拨线驱动轴部件	1
22	0251 GR1662	Snap ring	驱动轴挡圈	1
23	0251 GR1510	Snap ring	拨线车由挡圈	1
24	0251 GR2475	Wiper rod	拨线杆	1
25	0251 GS0232	Screw 9/64-40 L=5	拨线杆紧固螺钉9/64-40 L=5	1
26	0251 GR2476	Bracker installing collar	螺钉套圈	1
27	0251 GK203	Wiper cover	拨线器罩	1
28	0251 GS304	Screw M3×0.5 L=6	拨线器罩螺钉M3×0.5 L=6	1
29	0251 GS053	Screw 3/16-28 L=9	支架安装螺钉3/16-28 L=9	2
30	0251 GR2477	Cord holder	电线压板	1
31	0251 GS053	Screw 3/16-28 L=9	电线夹螺钉 3/16-28 L=9	1
32	0251 GR1721	Cord holder	电线夹	1
33	0251 GR6159	Front Cord holder	电线前压板	1



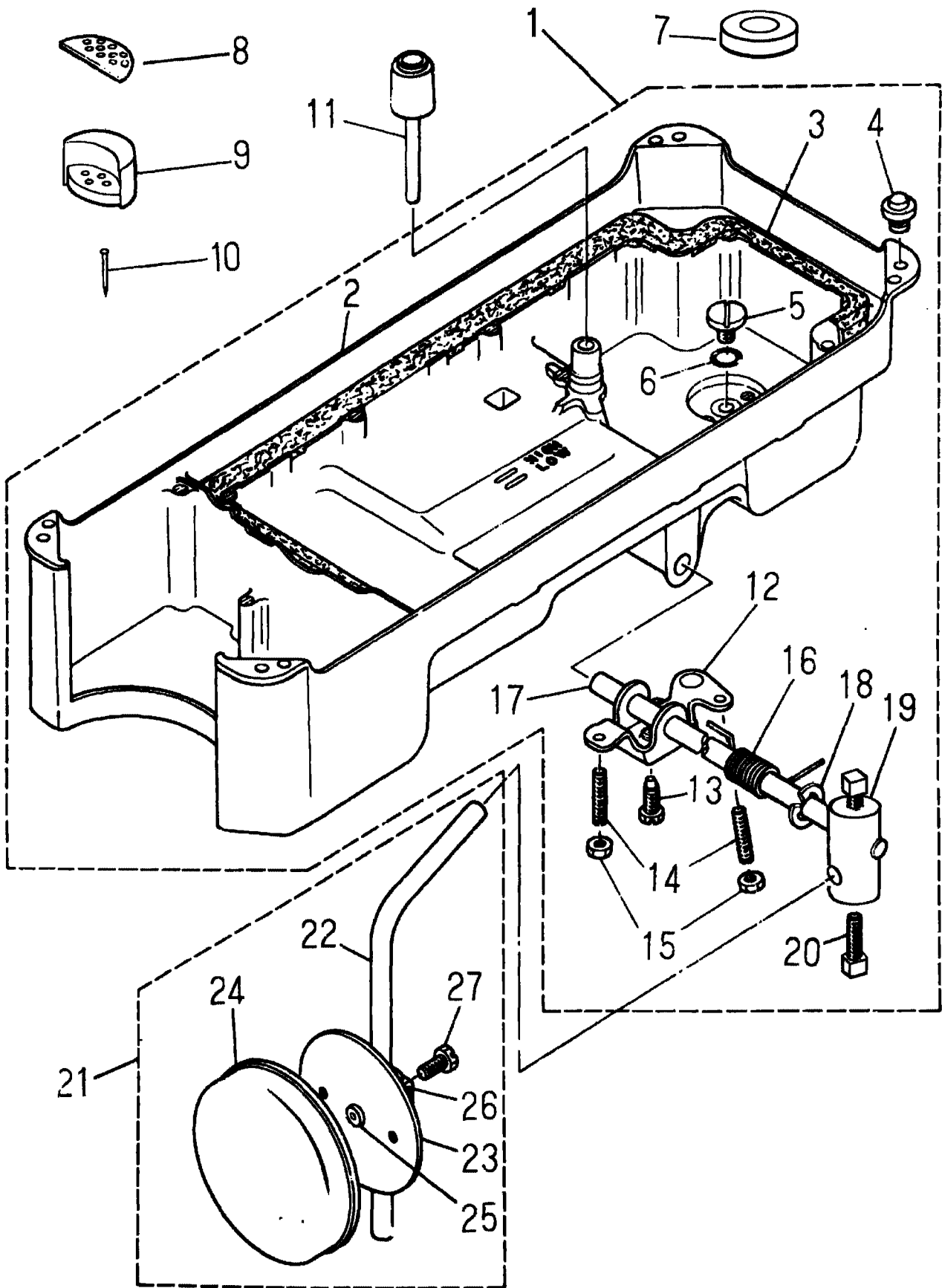
10.Lubrication components

10.润滑部件

序号	件号	Description	名称	Qty
1	0251 GR3389V12	Lubrication oil pump asm.	油泵部件	1
2	0251 GR3390	Oil pump installing base	油泵安装板	1
3	0251 GS062	Screw 15/64-28 L=9	油泵安装螺钉 15/64-28 L=9	1
4	0251 GR3391	Oil pump	油泵体	1
5	0251 GO476	Oil pump bushing	油泵体衬套	1
6	0251 GR3392	Oil pump impeller	油泵叶轮	1
7	0251 GR3393	Oil pump impeller cover	油泵叶轮托板	1
8	0251 GR3394	Lubrication oil pump cover.	油泵盖	1
9	0251 GS554	Screw M3 L=10	油泵盖螺钉 M3 L=10	3
10	0251 GR3395	Hook driving shaft oil tube	下轴供油管	1
11	0251 GR3396	Plunger	回油柱塞	1
12	0251 GW437	Plunger spring	柱塞簧	1
13	0251 GS0569	Plunger screw M7 0.75 L=5	柱塞螺钉M7 0.75 L=5	1
14	0251 GS0568	Screw M3 L=8	油泵螺钉 M3 L=8	3
15	0251 GS0233	Screw	油泵连接螺钉	1
16	0251 GS030	Screw 11/64-40 L=9.5	螺柱连接螺钉 11/64-40 L=9.5	1
17	0251 GR3397	Rubber joint	供油管接头	1
18	0251 GR6187	Main shaft oil tube	上轴供油管	1
19	0251 GR6011	Oil tube	旋梭供油管	1
20	0251 GS054	Oil adjusting screw	旋梭油量调节螺钉	1
21	0251 GW259	Spring	旋梭油量调节簧	1
22	0251 GK204	Oil shield guard	下轴前轴套挡油罩	1
23	0251 GR6172	Plastic seal	上轴中轴套密封圈	1
24	0251 GR1561	Oil sight window	油窗	1
25	0251 GR1562	O-ring	油窗O形圈	1
26	0251 GR6188V2	Oil return tube	回油管	1
27	0251 GR1566	Oil return tube holder	回油管夹	1
28	0251 GS0551	Screw 3/16-28 L=6	回油管夹螺钉 3/16-28 L=6	1
29	0251 GR1568	Oil felt	回油毡	1
30	0251 GR1569	Oil felt presser	回油毡夹	1
31	0251 GR3402V2	Arm oil shield asm.	面部防油板部件	1
32	0251 GR3403	Arm oil shield	面部防油板	1
33	0251 GR3404	Oil wick	防油板油线	1
34	0251 GS44	Screw 1/8-44 L=4	防油板螺钉 1/8-44 L=4	1

11.Oil reservoir& knee lifter components

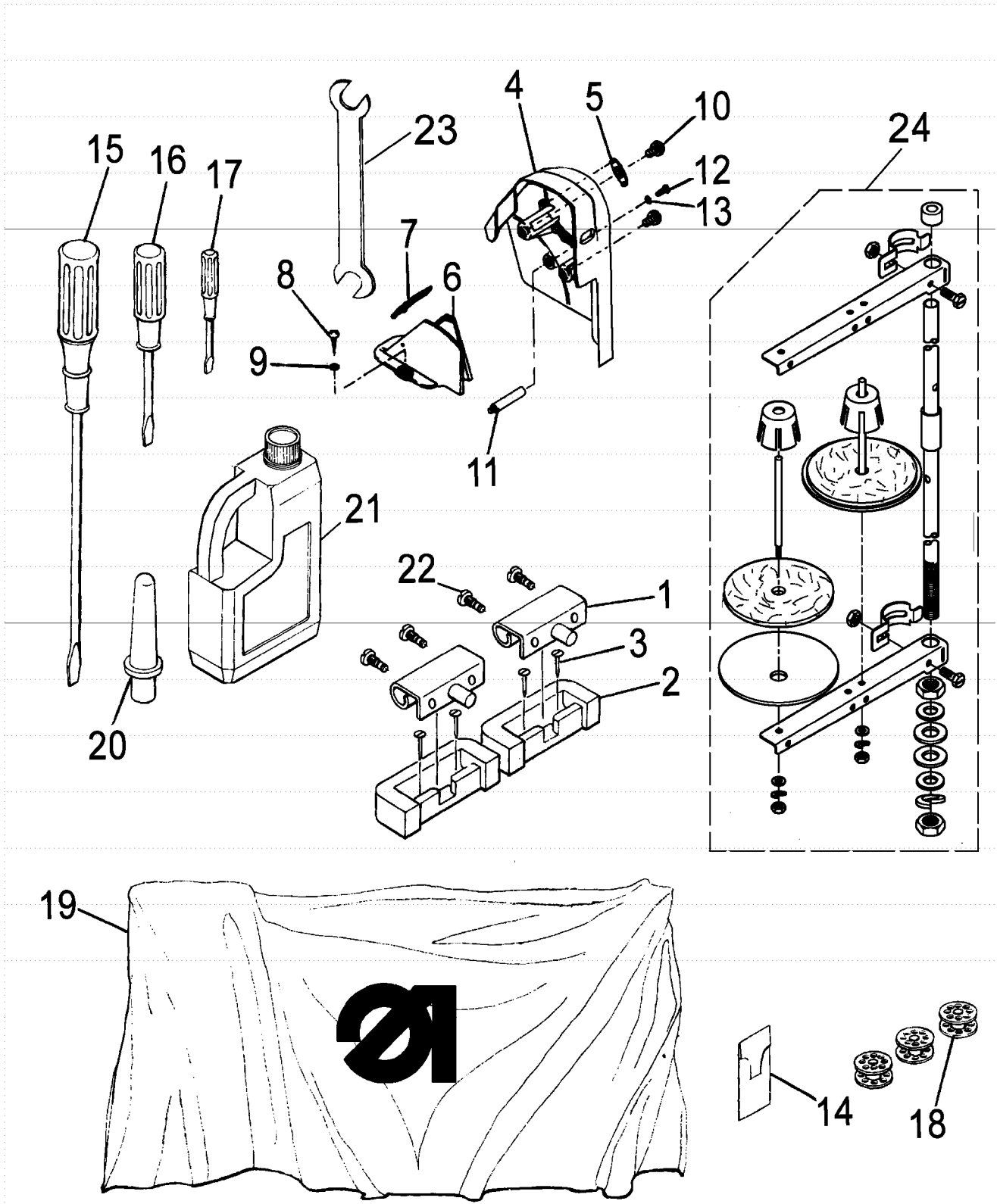
11.油盘 膝抬压脚部件



11.Oil reservoir& knee lifter components

11.油盘 膝抬压脚部件

序号	件号	Description	名称	Qty
1	0251 GR6291V22	Oil reservoir asm.	油盘部件	1
2	0251 GR3406	Oil reservoir	油盘	1
3	0251 GR3407	Gasket	油盘垫	1
4	0251 GR3408	Rubber cushion	机头座垫	4
5	0251 GS0571	Screw 5/16-24 L=7	排油孔螺钉5/16-24 L=7	2
6	0251 GR3409	O-ring	排油孔螺钉O型圈	2
7	0251 GR6301	Oil reservoir magnet	油盘磁铁	1
8	0251 GR1578	Oil reservoir felt cushion	油盘座垫	2
9	0251 GR1736	Oil reservoir rubber cushion	油盘支座	2
10	0251 GBX108	Nail	油盘座钉	4
11	0251 GX1130	Knee press lifter rod	抬压脚顶销	1
12	0251 GH1132	Connecting rod, vertical	抬压脚双向曲柄	1
13	0251 GS0572	Screw 15/64-28 L=18	双向曲柄螺钉15/64-28 L=18	1
14	0251 GS057	Screw 15/64-28 L=30	双向曲柄限位调节螺钉15/64-28 L=30	2
15	0251 GL21	Nut 15/64-28	双向曲柄限位调节螺母 15/64-28	2
16	0251 GW438	Spring	双向曲柄扭簧	1
17	0251 GZ439	Knee press rod	抬压脚轴	1
18	0251 GR1583	Snap ring	抬压脚轴开口挡圈	1
19	0251 GR3410	Bearing bracket	抬压脚操纵杆节头	1
20	0251 GS0573	Screw 9/32-20 L=20	操纵杆节头螺钉9/32-20 L=20	2
21	0251 GR3411V6	Knee press plate asm.	操纵杆部件	1
22	0251 GZ440	Knee lifter plate rod	操纵杆	1
23	0251 GR3412	Knee press plate	操纵板	1
24	0251 GR3958	Knee press plate cover	操纵板软垫	1
25	0251 GR3413	Rubber cushion	操纵杆垫	1
26	0251 GR3414	Knee press plate holder	操纵杆节头	1
27	0251 GS584	Screw 15/64-28 L=15	节头螺钉 15/64-28 L=15	1



12. Machine head accessories

12. 机头附件

序号	件号	Description	名称	Qty
1	0251 GR6191V2	Machine hinge plate asm.	机头连接钩部件	2
2	0251 GR6193	Machine hinge plate	机头连接钩座	2
3	0251 GBS1003	Screw	机头连接钩座钉	4
4	0251 GK1055	Beltcover,A	上轮前罩壳	1
5	0251 GR3415	Beltcover,A cap	前罩壳安装架	1
6	0251 GK1449	Beltcover,B	上轮后罩壳	1
7	0251 GR4012V2	Beltcover,B cover asm.	后罩壳盖部件	1
8	0251 GBS120	Wood screw D=4.5 L=20	后罩壳安装木螺钉D=4.5 L=20	2
9	0251 GBR147	Washer	木螺钉垫圈	2
10	0251 GS0574	Beltcover,A screw	前罩壳紧固螺钉	2
11	0251 GS0575	Beltcover support	前罩壳支柱	1
12	0251 GS0576	Screw 3/16-28 L=14	支柱螺钉 3/16-28 L=14	1
13	0251 GR3417	Washer	螺钉垫圈	1
14*	0251 GV15	Needle (DBX1#14)	机针 (DBX1#14)	1
14**	9092 013400 090	Needle (134 Nm90)	机针 (134 Nm90)	1
15	0251 GR1601	Screw driver, large	螺丝刀(大)	1
16	0251 GR1602	Screw driver, medium	螺丝刀(中)	1
17	0251 GR1603	Screw driver, small	螺丝刀(小)	1
18	0251 GN163	Bobbin	梭心	3
19	0267 700010	Machine head cover	机头罩	1
20	0251 GBR148	Machine rest pin	机头支柱	1
21	0251 GR1604V3	Oil reservoir asm.	油箱部件	1
22	0251 GS044	Screw 11/64-40 L=8.5	连接钩安装螺钉11/64-40 L=8.5	4
23	0251 GR544	Double-head wrench	双头扳手	1
24	0281 700014	Spool rest rod asm.	线架组件	1

* FOR ASIA

销往亚洲

251-140042A(薄料用): 0251 GV15 (DBX1#9)

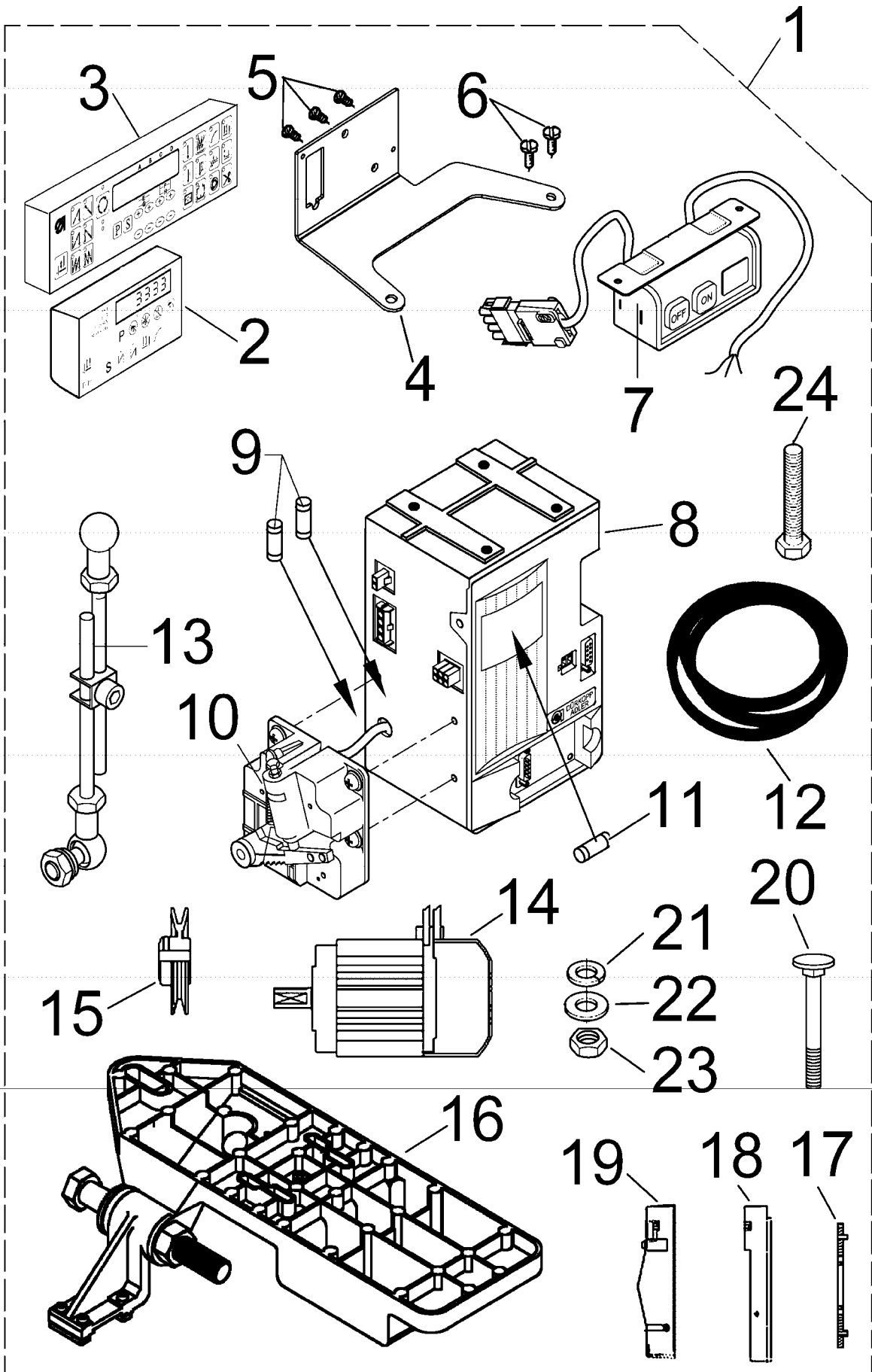
251-140042H(厚料用): 0251 GV17 (DBX1#21)

**FOR EUROPE

销往欧洲

251-140042A(薄料用): 9092 013400 065(134 Nm65)

251-140042H(厚料用): 0251 GV17 (DBX1#21) (same as 134 Nm130)

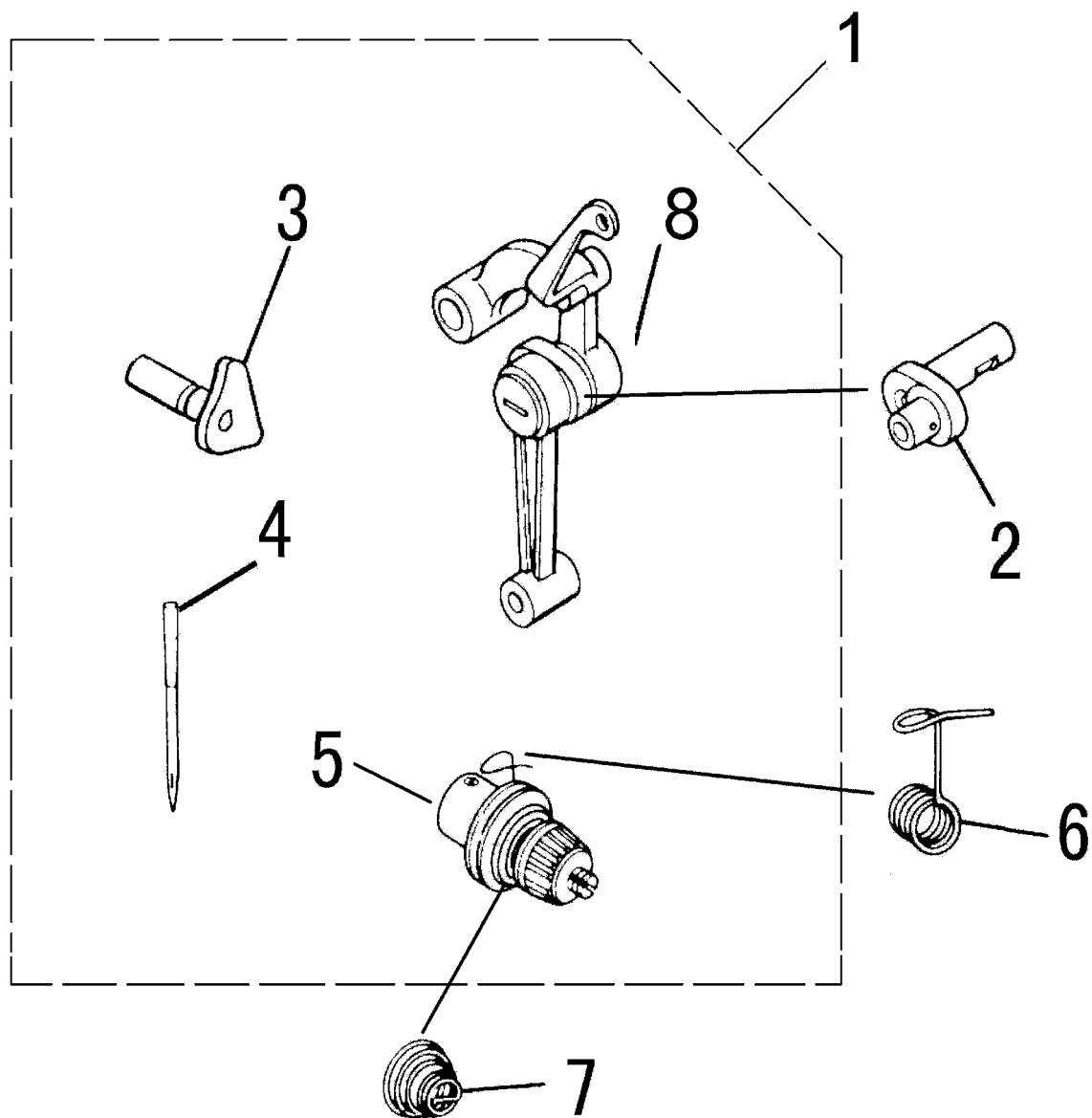


13.Motor control components**13.电机控制部件**

序号	件号	Description	名称	Qty
1	9800 170027R	Complete set HVP-20-4-25	电机部件	1
2	9800 360102	Operating panel F-10	操作面板	1
3	9800 360103	Operating panel C-60	操作面板	1
4	0251 GR6290	Operating panel holder	操作面板安装板	1
5	0251 GS577	Screw M4×8	操作面板螺钉	3
6	0251 GS5186	Screw 3/16-28 L=6	安装板螺钉3/16-28 L=6	2
7	9800 360104	Main power switch asm.	开关部件	1
8	9800 370005	Control box HVP-20	控制箱	1
9	9825 810222	Fuse 15A	保险丝	2
10	9800 370003	Control unit for pedal	踏板控制器	1
11	9825 810409	Fuse 0.6A	保险丝	1
12	0251 GE123	V-Belt M-39 10×990mm	传动带	1
13	MG43 000484	Pulling rod asm.	连接杆部件	1
14	9800 170028	Motor body	电机	1
15	9130 500750	pulley d=75mm	电机带轮	2
16	0251 GD1014A	Motor mounting bracket	电机托架	1
17	0251 GD1014B	Belt cover bracket	传动带罩壳支架	1
18	0251 GD1014C	Belt cover base	传动带罩壳座	1
19	0251 GD1014D	Belt cover top	传动带罩壳盖	1
20*	0251 GKS122	Motor mounting screw M8×75	电机托架连接螺栓	3
21	9330 300027	Washer	电机托架垫圈	3
22	0725 000520B	Spring washer	电机托架弹簧垫圈	3
23*	0251 GKL101	Nut	电机托架螺母	3
24**	9201 113757	Hex bolt screw M8×30	电机托架螺栓	3

* FOR ASIA 销往亚洲

** FOR EUROPE 销往欧洲



251-140042

14.Model 251-140042A**14.251-140042A型****(For Light Weight Materials)****(薄料用)**

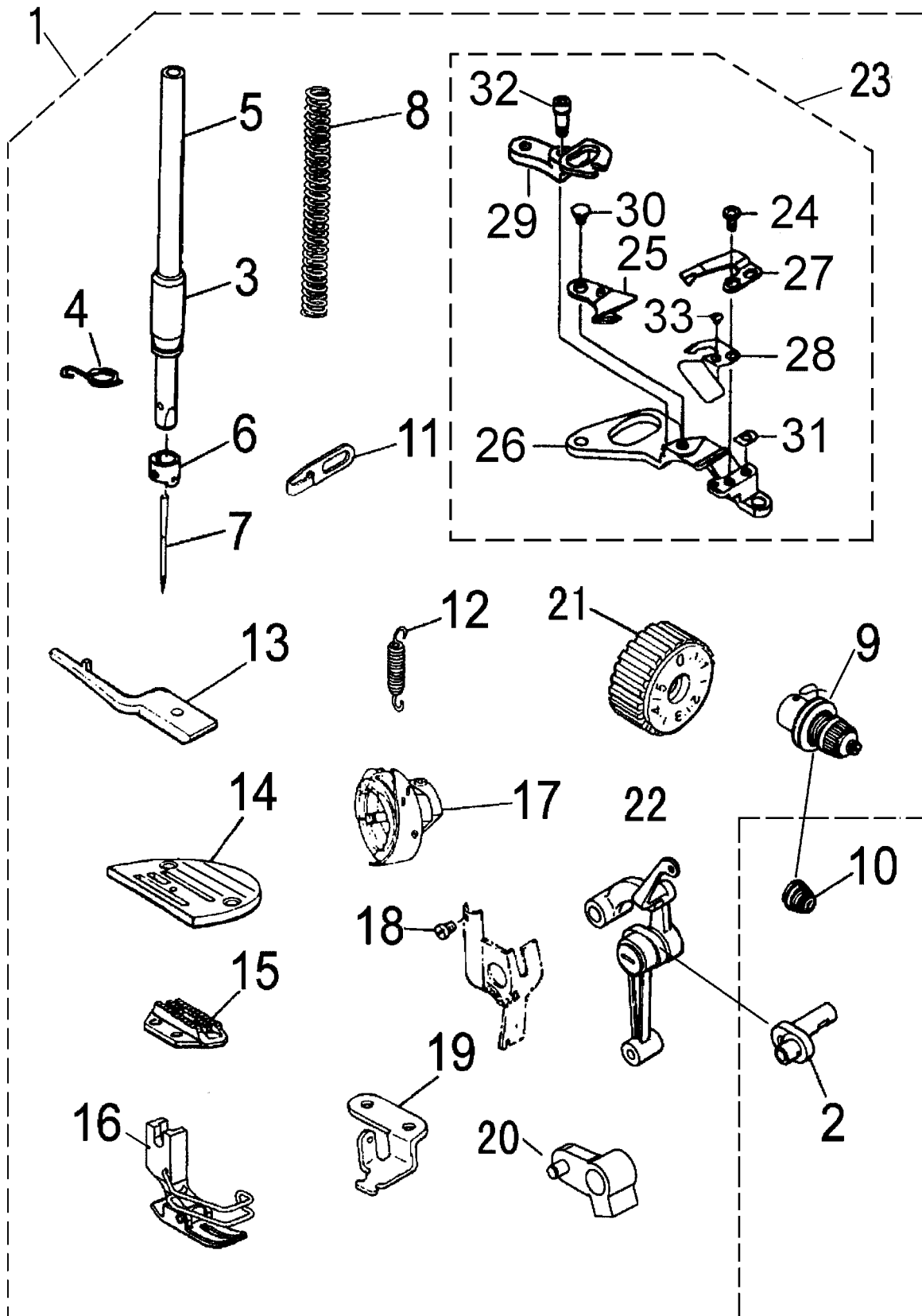
序号	件号	Description	名称	Qty
1	0251 GR6320	For Light Weight Materials	薄料专用部件	1
2	0251 GH578	Needle bar crank A	挑线曲柄	1
3	0251 GR3427V2	Hand lifter cam cpl.	压脚扳手凸轮部件	1
4*	0251 GV15	Needle (DBx1#9)	机针(DBx1#9)	1
4**	9092 013400 065	Needle (134 Nm65)	机针(134 Nm65)	1
5	0251 GR6299V10	Thread tension asm.	夹线器部件	1
6	0251 GW1111	Take-up spring	挑线簧	1
7	0251 GW1112	Tension spring	夹线簧	1
8	0251 GH577	Link thread take-up lever asm.	挑线杆部件	1

* FOR ASIA

销往亚洲

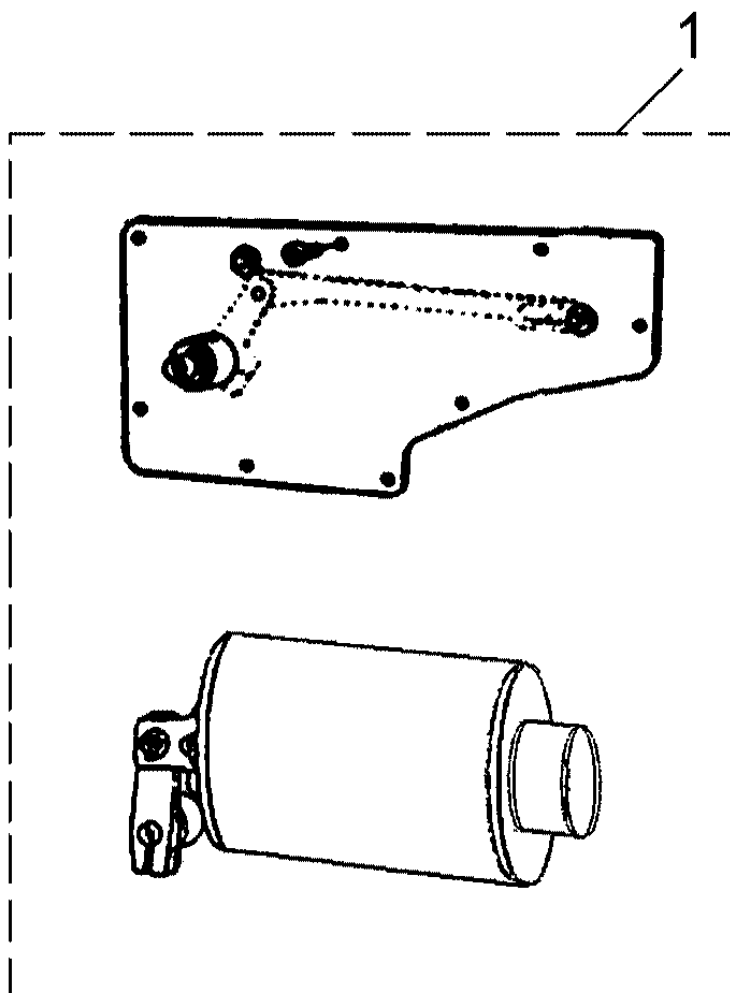
** FOR EUROPE

销往欧洲



序号	件号	Description	名称	Qty
1	0251 GR6321	For Heavy Weight Materials	厚料专用部件	1
2	0251 GH580	Needle bar crank H	挑线曲柄	1
3	0251 GO288	Needle bar bushing, lower	针杆下轴套	1
4	0251 GR1632	Needle bar thread guide	针杆下轴套线钩	1
5	0251 GZ1175	Needle bar	针杆	1
6	0251 GR3951	Needle bar thread guide	针杆线钩	1
7*	0251 GV17	Needle (DBX1#21)	机针(DB×1#21)	1
8	0251 GW269	Presser spring	调压簧	1
9	0251 GR6300V10	Thread tension asm.	夹线器部件	1
10	0251 GW1113	Tension spring	夹线簧	1
11	0251 GR3952	Arm thread guide (HA)	右线钩	1
12	0251 GW440	Adjust link spring	摆动板座复位簧	1
13	0251 GR3434	Positioning finger	旋梭定位钩	1
14	0251 GM1076	Throat plate(H)	针板	1
15	0251 GM209	Feed dog(H)	送料牙	1
16	0251 GM1083V5	Hinged presser foot asm.	活压脚部件	1
17	0251 GN1035	Hook asm.	旋梭	1
18	0251 GS069	Screw 1/8-44 L=2.5	防油板螺钉 1/8-44 L=2.5	1
19	0251 GR3955	Feed spring hook	拉簧固定板	1
20	0251 GH1129V2	Feed reverse arm asm.	倒送料曲柄部件	1
21	0251 GR6183	Feed dial	送料距旋钮	1
22	0251 GH579V3	Link thread take-up lever asm.	挑线杆部件	1
23	0251 GR6308V11	Knife Unit	厚料剪线刀部件	1
24	0251 GS072	Screw 1/8-44 L=6	厚料定刀螺钉 1/8-44 L=6	2
25	0251 GR6309V2	Moving knife branch asm.	厚料动刀分部件	1
26	0251 GR2440	Knife mounting base	厚料剪线刀座	1
27	0251 GR6311	Counter knife	厚料定刀	1
28	0251 GR6313	Knife thread guide	厚料剪线导线钩	1
29	0251 GH457	Forked base for knife	厚料动刀摆动叉	1
30	0251 GS5201	Hinge screw	厚料动刀轴位螺钉	1
31	0251 GR1708	Counter knife spacer	厚料定刀安装板	1
32	0251 GS5202	Hinge screw	厚料摆动叉轴位螺钉	1
33	0251 GS095	Screw 3/32-56 L=2.3	厚料剪线导线钩螺钉 3/32-56 L=2.3	1

* same as 134 Nm130, 同134 Nm130



16.SEWING EQUIPMENTS**16.缝纫附件**

序号	件号	Description	名称	Qty
1	0251 590014	Automatic presser foot lifter asm.	自动抬压脚部件	1

17.INDEX OF PARTS

17.索引

Part № 件号	Page № 页次 序号	Part № 件号	Page № 页次 序号	Part № 件号	Page № 页次 序号	Part № 件号	Page № 页次 序号
0251 590014	31 1	0251 GM1080V5	7 11	0251 GR1603	23 17	0251 GR3351	5 7
0251 GBR147	23 9	0251 GM1083V5	29 16	0251 GR1604V3	23 21	0251 GR3352	5 9
0251 GBR148	23 20	0251 GM1086	11 35	0251 GR1632	29 4	0251 GR3354	5 14
0251 GBS1003	23 3	0251 GM204	11 40	0251 GR1635	5 18	0251 GR3355	5 16
0251 GBS120	23 8	0251 GM209	29 15	0251 GR1662	17 22	0251 GR3357	5 31
0251 GBX108	21 10	0251 GN1035	29 17	0251 GR1672	15 54	0251 GR3358	7 6
0251 GC165	9 16	0251 GN1036	9 2	0251 GR1685	9 5	0251 GR3359	7 8
0251 GC166	9 18	0251 GN163	9 3	0251 GR1695	13 34	0251 GR3360	7 13
0251 GC167	9 23	0251 GN163	23 18	0251 GR1697	13 36	0251 GR3361V2	7 15
0251 GC168	9 24	0251 GN177	9 1	0251 GR1705	15 10	0251 GR3363	7 17
0251 GD1013	15 63	0251 GO1092	5 4	0251 GR1706	15 7	0251 GR3364V3	7 18
0251 GD1014	15 64	0251 GO1093	5 6	0251 GR1708	15 11	0251 GR3366	7 22
0251 GD1014A	25 16	0251 GO1094	13 16	0251 GR1708	29 31	0251 GR3367	7 23
0251 GD1014B	25 17	0251 GO1135	7 10	0251 GR1717	5 30	0251 GR3368	7 28
0251 GD1014C	25 18	0251 GO1137	3 14	0251 GR1717	13 33	0251 GR3369	7 30
0251 GD1014D	25 19	0251 GO1138	3 17	0251 GR1717	13 39	0251 GR3370	7 33
0251 GD1015	15 62	0251 GO1139	3 19	0251 GR1717	15 39	0251 GR3373	11 4
0251 GD254	17 6	0251 GO1148	9 10	0251 GR1721	17 32	0251 GR3378	11 28
0251 GD305	13 30	0251 GO269	3 22	0251 GR1736	21 9	0251 GR3383	13 4
0251 GD306	13 47	0251 GO270	3 33	0251 GR2035	7 20	0251 GR3384	13 7
0251 GD307	15 52	0251 GO270	3 42	0251 GR2035	7 25	0251 GR3385	13 15
0251 GD308	17 3	0251 GO288	29 3	0251 GR2045	1 11	0251 GR3387	13 25
0251 GD309	17 4	0251 GO470	9 12	0251 GR2402	13 41	0251 GR3388	13 26
0251 GE123	25 12	0251 GO471	9 19	0251 GR2407	3 6	0251 GR3389V12	19 1
0251 GH1123	3 24	0251 GO472	9 20	0251 GR2409	3 9	0251 GR3390	19 2
0251 GH1126	13 12	0251 GO473	11 26	0251 GR2410	3 10	0251 GR3391	19 4
0251 GH1129V2	29 20	0251 GO473	11 47	0251 GR2416	7 34	0251 GR3392	19 6
0251 GH1131V8	3 29	0251 GO474	13 8	0251 GR2418	7 35	0251 GR3393	19 7
0251 GH1132	21 12	0251 GO476	19 5	0251 GR2420	7 39	0251 GR3394	19 8
0251 GH334	3 41	0251 GP1024	3 43	0251 GR2420	7 45	0251 GR3395	19 10
0251 GH454	13 37	0251 GP1030	3 1	0251 GR2421	7 42	0251 GR3396	19 11
0251 GH457	15 3	0251 GR1469	3 15	0251 GR2422	7 44	0251 GR3397	19 17
0251 GH457	29 29	0251 GR1469	11 24	0251 GR2428	13 20	0251 GR3400	15 59
0251 GH458	15 14	0251 GR1469	11 54	0251 GR2429	13 35	0251 GR3402V2	19 31
0251 GH459V2	15 45	0251 GR1470	3 20	0251 GR2431V11	13 44	0251 GR3403	19 32
0251 GH563	3 30	0251 GR1471	3 23	0251 GR2432	13 45	0251 GR3404	19 33
0251 GH564V4	3 31	0251 GR1472	3 26	0251 GR2433	13 48	0251 GR3406	21 2
0251 GH566	3 34	0251 GR1478	5 1	0251 GR2434V2	13 53	0251 GR3407	21 3
0251 GH568	11 6	0251 GR1488	5 23	0251 GR2436	13 54	0251 GR3408	21 4
0251 GH569	11 18	0251 GR1489	5 24	0251 GR2437V11	15 1	0251 GR3409	21 6
0251 GH570	11 43	0251 GR1490	5 26	0251 GR2438V2	15 5	0251 GR3410	21 19
0251 GH571	11 48	0251 GR1494	7 3	0251 GR2440	15 6	0251 GR3411V6	21 21
0251 GH572	11 50	0251 GR1503	7 16	0251 GR2440	29 26	0251 GR3412	21 23
0251 GH574V2	13 22	0251 GR1507	15 27	0251 GR2441V4	15 13	0251 GR3413	21 25
0251 GH577	27 8	0251 GR1507	15 34	0251 GR2442V4	15 15	0251 GR3414	21 26
0251 GH578	27 2	0251 GR1510	7 21	0251 GR2444	15 21	0251 GR3415	23 5
0251 GH579V3	29 22	0251 GR1510	7 26	0251 GR2445V3	15 24	0251 GR3417	23 13
0251 GH580	29 2	0251 GR1510	7 29	0251 GR2450	15 25	0251 GR3427V2	27 3
0251 GK1050	3 39	0251 GR1510	13 13	0251 GR2451	15 43	0251 GR3434	29 13
0251 GK1051	7 47	0251 GR1510	13 40	0251 GR2452V4	15 44	0251 GR3951	29 6
0251 GK1055	23 4	0251 GR1510	13 43	0251 GR2456	15 35	0251 GR3952	29 11
0251 GK1449	23 6	0251 GR1510	15 36	0251 GR2457V2	15 30	0251 GR3955	29 19
0251 GK203	17 27	0251 GR1510	15 50	0251 GR2460	15 31	0251 GR3958	21 24
0251 GK204	19 22	0251 GR1510	17 23	0251 GR2462	15 46	0251 GR4012V2	23 7
0251 GK239	1 2	0251 GR1515	9 9	0251 GR2463	15 53	0251 GR5013	1 21
0251 GKL101	25 23	0251 GR1519	9 14	0251 GR2464	15 56	0251 GR5254	11 9
0251 GKS122	25 20	0251 GR1524	11 23	0251 GR2466V2	17 2	0251 GR5255	11 10
0251 GL0114	7 2	0251 GR1524	11 46	0251 GR2468	17 7	0251 GR544	23 23
0251 GL1037	5 27	0251 GR1528	11 31	0251 GR2469	17 8	0251 GR5791	1 14
0251 GL1040	1 22	0251 GR1535	11 53	0251 GR2470	17 10	0251 GR6005	3 13
0251 GL110	15 55	0251 GR1561	19 24	0251 GR2471	17 12	0251 GR6011	19 19
0251 GL19	7 37	0251 GR1562	19 25	0251 GR2472	17 13	0251 GR6158	13 42
0251 GL21	15 33	0251 GR1566	19 27	0251 GR2473	17 15	0251 GR6159	17 33
0251 GL21	21 15	0251 GR1568	19 29	0251 GR2474	17 18	0251 GR6162	1 6
0251 GL31	17 16	0251 GR1569	19 30	0251 GR2475	17 24	0251 GR6163	1 8
0251 GL48	17 20	0251 GR1578	21 8	0251 GR2476	17 26	0251 GR6164	1 9
0251 GL7	11 52	0251 GR1583	21 18	0251 GR2477	17 30	0251 GR6165	1 10
0251 GM1068	11 37	0251 GR1599	15 32	0251 GR3340	1 3	0251 GR6166	1 12
0251 GM1073V3	11 39	0251 GR1601	23 15	0251 GR3349	3 32	0251 GR6167	1 13
0251 GM1076	29 14	0251 GR1602	23 16	0251 GR3350	3 36	0251 GR6172	19 23

17. INDEX OF PARTS

17.索引

Part № 件号	Page № 页次 序号	Part № 件号	Page № 页次 序号	Part № 件号	Page № 页次 序号	Part № 件号	Page № 页次 序号	Part № 件号	Page № 页次 序号
0251 GR6174	5 5	0251 GS0230	17 14	0251 GS072	15 9	0251 GW432	5 32		
0251 GR6179	5 33	0251 GS0231	17 19	0251 GS072	29 24	0251 GW433	7 27		
0251 GR6181	9 26	0251 GS0232	17 25	0251 GS078	7 36	0251 GW436	13 28		
0251 GR6182	11 56	0251 GS0233	19 15	0251 GS080	7 40	0251 GW437	19 12		
0251 GR6183	29 21	0251 GS029	9 4	0251 GS082	9 15	0251 GW438	21 16		
0251 GR6184V2	13 17	0251 GS03	3 2	0251 GS09	3 38	0251 GW440	29 12		
0251 GR6187	19 18	0251 GS030	9 6	0251 GS092	11 34	0251 GX1029	11 7		
0251 GR6188V2	19 26	0251 GS030	19 16	0251 GS093	15 2	0251 GX1030	11 11		
0251 GR6191V2	23 1	0251 GS031	9 8	0251 GS095	15 8	0251 GX1031	11 19		
0251 GR6193	23 2	0251 GS032	15 22	0251 GS095	29 33	0251 GX1129	3 35		
0251 GR6201	1 31	0251 GS033	7 7	0251 GS096	15 16	0251 GX1130	21 11		
0251 GR6204V5	1 18	0251 GS033	9 17	0251 GS097	15 17	0251 GX334	3 21		
0251 GR6205V2	1 19	0251 GS033	13 19	0251 GS304	17 5	0251 GX418	11 33		
0251 GR6238	9 25	0251 GS034	11 3	0251 GS304	17 28	0251 GX419	13 32		
0251 GR6241V4	11 32	0251 GS037	11 44	0251 GS39	3 16	0251 GX422	13 50		
0251 GR6245	1 5	0251 GS04	1 25	0251 GS39	3 28	0251 GX426	15 40		
0251 GR6246	7 38	0251 GS04	3 37	0251 GS39	11 25	0251 GX428	15 37		
0251 GR6247V6	11 1	0251 GS042	5 2	0251 GS39	11 55	0251 GX430	17 9		
0251 GR6250V17	1 16	0251 GS044	11 38	0251 GS44	19 34	0251 GX567	5 22		
0251 GR6257	1 29	0251 GS044	23 22	0251 GS48	5 28	0251 GX568	5 29		
0251 GR6261	1 30	0251 GS045	11 42	0251 GS48	11 15	0251 GX573	11 14		
0251 GR6263V3	13 38	0251 GS049	11 49	0251 GS48	11 17	0251 GX573	11 16		
0251 GR6265	13 1	0251 GS050	13 18	0251 GS5054	1 15	0251 GX576	13 5		
0251 GR6269V5	5 12	0251 GS053	1 4	0251 GS5186	3 40	0251 GX577	13 10		
0251 GR6273V9	13 29	0251 GS053	9 13	0251 GS5186	5 13	0251 GZ1027	13 14		
0251 GR6274V27	15 23	0251 GS053	9 21	0251 GS5186	5 34	0251 GZ1150	5 8		
0251 GR6275V6	15 51	0251 GS053	13 46	0251 GS5186	25 6	0251 GZ1152	1 20		
0251 GR6278	15 49	0251 GS053	17 29	0251 GS5187	1 26	0251 GZ1174	5 8		
0251 GR6284	1 24	0251 GS053	17 31	0251 GS5188	1 32	0251 GZ1175	29 5		
0251 GR6288V3	11 13	0251 GS054	19 20	0251 GS5198	1 7	0251 GZ275	7 5		
0251 GR6290	25 4	0251 GS0548	1 1	0251 GS5199	15 26	0251 GZ344V3	17 21		
0251 GR6291V22	21 1	0251 GS0549	3 18	0251 GS5201	29 30	0251 GZ431	3 12		
0251 GR6298V10	5 35	0251 GS0550	3 27	0251 GS5202	29 32	0251 GZ434	9 7		
0251 GR6299V10	27 5	0251 GS0551	3 11	0251 GS554	19 9	0251 GZ435	9 22		
0251 GR6300V10	29 9	0251 GS0551	7 41	0251 GS571	13 49	0251 GZ436	11 22		
0251 GR6301	21 7	0251 GS0551	7 43	0251 GS577	25 5	0251 GZ437	11 45		
0251 GR6302V27	17 1	0251 GS0551	19 28	0251 GS584	21 27	0251 GZ439	21 17		
0251 GR6308V11	29 23	0251 GS0552	5 15	0251 GS69	11 30	0251 GZ440	21 22		
0251 GR6309V2	29 25	0251 GS0552	5 17	0251 GS81	13 55	0267 700010	23 19		
0251 GR6311	29 27	0251 GS0553	7 1	0251 GS81	15 12	0281 700014	23 24		
0251 GR6313	29 28	0251 GS0554	7 14	0251 GS81	15 28	0725 000520B	25 22		
0251 GR6317	11 29	0251 GS0557	7 31	0251 GS81	15 57	9092 013400 065	27 5		
0251 GR6320	27 1	0251 GS0558	7 32	0251 GT172	15 19	9092 013400 090	5 11		
0251 GR6321	29 1	0251 GS0559	9 11	0251 GT198	11 2	9092 013400 090	23 14		
0251 GR6322V8	11 27	0251 GS0560	11 8	0251 GU168	5 3	9130 500750	25 15		
0251 GRD1087	11 57	0251 GS0560	11 12	0251 GV15	5 11	9201 113757	25 24		
0251 GRD1172	1 17	0251 GS0560	11 20	0251 GV15	23 14	9330 300027	25 21		
0251 GS010	7 46	0251 GS0560	15 42	0251 GV15	27 4	9800 12MPS02021	3 3		
0251 GS0100	7 9	0251 GS0561	11 21	0251 GV17	29 7	9800 12MPS02022	3 4		
0251 GS011	11 5	0251 GS0562	11 51	0251 GW1096	11 41	9800 170027R	25 1		
0251 GS011	13 11	0251 GS0563	13 2	0251 GW1103	13 24	9800 170028	25 14		
0251 GS015	5 20	0251 GS0564	13 3	0251 GW1104	1 28	9800 360102	25 2		
0251 GS0155	3 44	0251 GS0565	13 9	0251 GW1105	1 33	9800 360103	25 3		
0251 GS016	5 21	0251 GS0566	13 23	0251 GW1106	1 27	9800 360104	25 7		
0251 GS0161	7 19	0251 GS0567	13 27	0251 GW1107	1 23	9800 367102	3 7		
0251 GS0162	7 24	0251 GS0568	19 14	0251 GW1108	13 56	9800 370003	25 10		
0251 GS020	7 12	0251 GS0569	19 13	0251 GW1109	5 19	9800 370005	25 8		
0251 GS0219	3 5	0251 GS057	21 14	0251 GW1110	5 25	9825 810222	25 9		
0251 GS022	15 18	0251 GS0571	21 5	0251 GW1111	27 6	9825 810409	25 11		
0251 GS0220	3 8	0251 GS0572	21 13	0251 GW1112	27 7	MG43 000484	25 13		
0251 GS0222	13 21	0251 GS0573	21 20	0251 GW1113	29 10				
0251 GS0223	13 31	0251 GS0574	23 10	0251 GW253	7 4				
0251 GS0223	15 58	0251 GS0575	23 11	0251 GW257	13 6				
0251 GS0223	15 60	0251 GS0576	23 12	0251 GW259	19 21				
0251 GS0224	13 52	0251 GS06	3 25	0251 GW269	29 8				
0251 GS0225	15 4	0251 GS062	15 47	0251 GW333	13 51				
0251 GS0226	15 20	0251 GS062	19 3	0251 GW334	15 38				
0251 GS0227	15 48	0251 GS069	29 18	0251 GW335	15 41				
0251 GS0228	15 61	0251 GS071	5 10	0251 GW336	15 29				
0251 GS0229	17 11	0251 GS072	11 36	0251 GW337	17 17				